

Master Alarm Specifications



Master Alarm

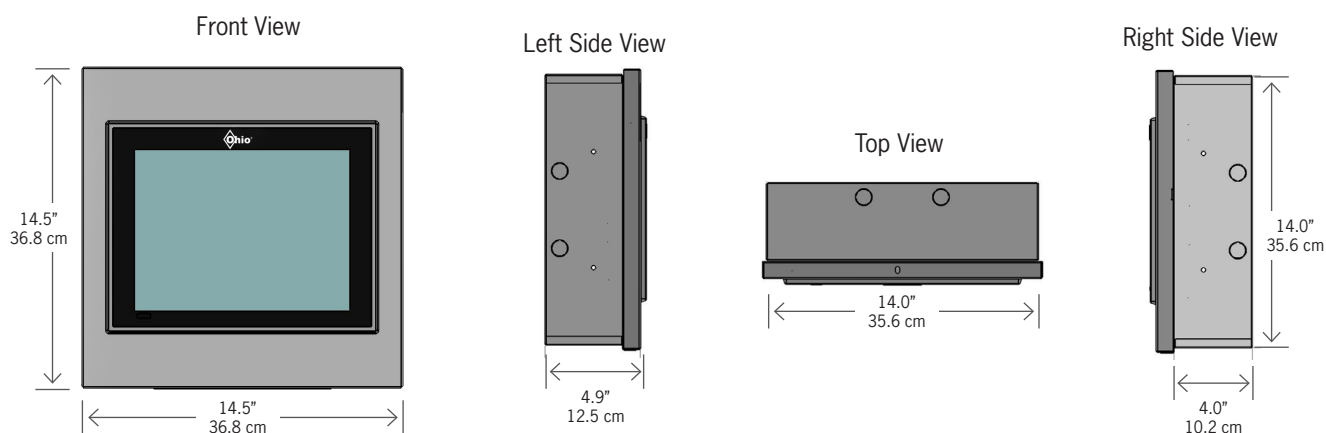
- 12.1" Liquid Crystal Display (LCD)
- Supply Power: 100V-240V AC
- Circuit breaker protected
- Alarm Point Inputs: up to 30 points
- Dry Contacts: 30 (optional)
- Remote alarm communications:
Modbus (standard); BACnet (optional); Ethernet (optional)
- NFPA® 99 Compliant
- Manufactured in an ISO 9001 and 13485 Environment
- Enclosure materials constructed of heavy duty steel to protect internal components from adverse conditions and electrical interference
- Alarm conditions shall be identified via audible alarms and visual indicators
- Audible Alarm-Point Silence Button provided to silence the alarm (field adjustable duration)
- Audible Alarm Horn is adjustable
- Audible Alarm is to remain in an alarm state until the condition that initiated the alarm condition is corrected
- Visual Alarm-Point Indicators shall illuminate and/or flash even if the Audible Alarm is silenced and, to remain in an alarm state until the condition initiating the alarm is corrected

Panel Settings

(completely field adjustable and password protected)

- ALL settings accomplished via front screen panel
- Selectable English or Spanish Instructions
- Password Protected (Customizable)
- Field Adjustable 0-30pt alarm set-up/viewing
- Adjustable N.O./N.C. input selection with **Set-All** feature
- Adjustable 10pt, 20pt or 30pt; per-screen-viewing
- Defaults to **View All Alarm Points** in an alarm condition
- Pre-configured or customizable Alarm Point names
- Auto scroll with manual scroll options for non-alarm condition viewing
- Alarm Point events and data are logged and may be viewed/cleared as **Individual** or **All Alarm Events**
- **Maintenance Mode** for set-up and alarm point maintenance

Product Dimensions



Ordering Information

Available with Modbus, BACnet or Ethernet with or without Dry Contacts. All units come with a 12.1" Full Color LCD touchscreen and can be set up for one to thirty unique Alarm Points Inputs.

| Part Number | Description* |
|-------------|--|
| 263748 | Master Alarm HMI 30 Point |
| 263748-C | Master Alarm HMI 30 Point with Dry Contacts |
| 263748-B | Master Alarm HMI 30 Point with BACnet |
| 263748-E | Master Alarm HMI 30 Point with Ethernet |
| 263748-CE | Master Alarm HMI 30 Point with Dry Contacts & Ethernet |
| 263748-CB | Master Alarm HMI 30 Point with Dry Contacts & BACnet |

* Modbus included with every unit.

© 2019 Ohio Medical LLC. This document contains information that is proprietary and confidential to Ohio Medical LLC. Use of this information is under license from Ohio Medical LLC. Any use other than that authorized by Ohio Medical LLC is prohibited. Ohio Medical, the Ohio Medical logo, Amvex, and the Amvex logo are registered trademarks of Ohio Medical LLC.