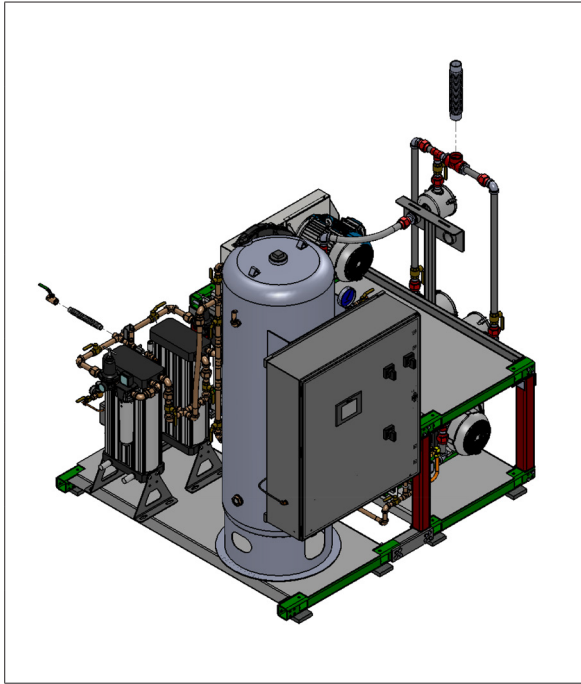


AS1000B-ST3-DD Scroll Compressor System



Configuration	Triplex Stack Mount
System Capacity	64 SCFM @ 50PSIG
Capacity per Pump	32 SCFM @ 50 PSIG
Motor Horsepower (HP)	10 HP
Total System Horsepower	30 HP
Receiver Size	120 Gallons
Available Voltage	208/230/460 3 Phase contact factory for other voltages
Note: System capacity is stated with one pump in reserve.	

COMPRESSOR MODULE

- Belt driven oil-less scroll compressor
- Pressures up to 115 psi
- Externally lubricated bearings
- Each module includes inlet filter, isolation valve, after cooler, relief valve and temperature switch

AIR RECEIVER

- Constructed to ASME standards
- Coated for corrosion resistance
Equipped with 3 valve bypass
- ASME pressure relief valve
- Pressure gauge & automatic drain
- Source isolation valve
- Flex connectors & mounting pads included

SYSTEM CONTROLS

- Underwriters Laboratories listed
- Nema 12 enclosure
- Safety disconnect handles
- Fuseless design
- HMI (Human Machine Interface) System
- NFPA required local alarms/remote monitoring

AIR TREATMENT MODULE

- Dual heatless desiccant dryers
- Dew Point & Co monitoring devices with local alarm and dry contacts for remote monitoring
- Dew Point dependent switching for minimal air loss
- Dual filtration systems removes liquids and particulates
- Automatic drain, line pressure regulator, final pressure relief valve