
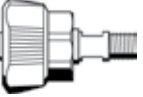


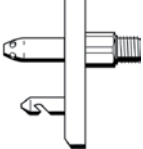


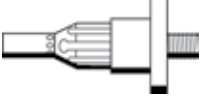
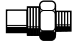


Flowmeter Ordering Matrix - ANSI







Instructions: Select the adapter, flowmeter and fitting to form an 11-digit part number.

Example: 7701-1260-921 7701 Diamond Adapter 1260 Oxygen Flowmeter (1-15 l/min) 921 - Tubing Nipple



Adapters 77XX

No Adapter	7700 1/8" NPT Female
	7701 Diamond
	7702 DISS Hand-I-Twist (HIT)
	7703 DISS Nut & Gland
	7704 Schrader®
Air Only	7705 Chemetron® Rectangle Striker (NCG)
	7706 Chemetron® Round Striker (NCG)
	7707 Puritan Bennett®
	7708 O.E.S. Twist
	77009 O.E.S. Med Star®
	7714 DISS Male


Flowmeter 126X or 130X or 150X Oxygen Flowmeters

	1309 (0-1 L/min) 1316 (0-200 ccm) 1260 (1-15 L/min) 1305 (0.25 - 3.5 L/min) O2 Flowmeter with O2 DISS Fitting
	1310 (0-1 L/min) 1261 (1-15 L/min) 1306 (0.25 - 3.5 L/min) O2 Flowmeter with O2 DISS fitting and O2 DISS power outlet
	1311 (0-1 L/min) 1262 (1-15 L/min) 1307 (0.25 - 3.5 L/min) O2 Twin Flowmeter with O2 DISS fitting **
	1502 LoFlo 3.5 & 1-15 L/ min O2 Twin Flowmeter, only with 7700, 7701, 7702, 7703, 7706 and 7707 adapters **
	1314 (0-1 L/min) 1263 (1-15 L/min) 1308 (0.25 - 3.5 L/min) O2 Twin Flowmeter with O2 DISS fitting and O2 DISS power outlet **
	1503 LoFlo 3.5 & 1-15 L/ min O2 Twin Flowmeter with O2 DISS Power Outlet, only with 7700, 7701, 7702, 7703, 7706 and 7707 adapters **

Medical Air Flowmeters

	1264 (1-15 L/min) Air Flowmeter with O2 DISS Fitting
	1266 (1-15 L/min) Air Flowmeter with O2 DISS fitting and Air DISS power outlet

Fittings 9XX

No Adapter	907 DISS Fitting
	921 Tubing Nipple Nut & Gland
	931 Clear Tubing Nipple Nut & Gland

***"Y" adapter
subject to change

© 2017 Ohio Medical, LLC. This document contains information that is proprietary and confidential to Ohio Medical, LLC. Use of this information is under license from Ohio Medical, LLC. Any use other than that authorized by Ohio Medical, LLC is prohibited. Ohio Medical and the Ohio Medical logo are registered trademarks of Ohio Medical Corporation. Chemetron and Med Star are registered trademarks of Allied Healthcare Products. Puritan Bennett is a registered trademark of Covidien LP. Schrader is a registered trademark of Schrader-Bridgeport International.

Flowmeters with Mounting Brackets for Dovetail Rail and Multi-Purpose Therapy Stand

Flowmeter and Manifold Bracket



Flowmeter with Hand-I-Twist (HIT)
DISS adapter, tubing nipple; manifold
bracket with one DISS male and two
DISS male checks
7721-1260-921 1-15L/min O₂
7721-1264-921 1-15L/min Air
7721-1305-921 LoFlo 3.5 O₂

Flowmeter and Manifold Bracket with Hose

Flowmeter with Hand-I-Twist (HIT)
DISS adapter, tubing nipple; manifold
bracket with one DISS male and two
DISS male checks, with 8' DISS HIT
female X DISS HIT female O₂ Hose
(not shown)
7700-0148-900

Tubing Nipples

Color-Coded Tubing Nipple

Constructed of Durable Plastic



Oxygen Wing Nut (O₂ DISS female)
& Gland with Tubing Nipple, green
6700-0093-700 (pkg. of 20)
6700-0089-700 (1 ea)

Air Wing Nut (O₂ DISS male) &
Gland with Tubing Nipple, yellow
6700-0093-703 (pkg. of 20)
6700-0089-703 (1 ea)

"Second Look" Clear Tubing Nipple
P/N 6700-0093-704 (pkg. of 20)
P/N 6700-0089-704 (1 ea)

Air DISS Tubing Nipple
DISS Union Nut & Gland, metal
with 1/4" hose barb, Air

6700-0654-803

O₂ Tubing Nipple, Metal & Plastic
DISS Union Wing Nut & Gland,
with 5" chain, O₂ (green)
0204-8811-800

DISS Union Wing Nut & Gland,
without chain, O₂ (green) (shown)
6700-0102-800

DISS Male with DISS Female N&G
(plastic)

6700-0725-800



Universal Manifold Bracket

With four 1/8" NPT ports and
two plugs

0217-5359-800

Manifold Bracket With DISS Adapters

With two DISS male check units; one
DISS male adapter, one 1/8" NPT with
plug

6700-0411-800 O₂
6700-0412-800 Air



Accessories



**8.5" Flowmeter or Vacuum
Regulator Security Chain**
with snap ring (stainless steel)
For securing equipment to
wall outlets.
6700-0404-200



**8.5" Flowmeter or Vacuum
Regulator Security Wire**
with secure hook. For securing
equipment to wall outlets.
6700-0403-200



O₂ Instant Flow Valve Fork
Flowmeter is "ON" but is turned
"OFF" by the bag on the fork.
• Immediate bag inflation
• Saves oxygen
6700-0400-200



O₂ Flow Selector Valve
Toggle switch selects flowmeter
O₂ or Humidified O₂.
6700-0402-200



Multi-purpose Rail Mount Slide
6700-0405-200



**Gauge Pole Clamp for .75"
- 1.5" Poles**, with 1/4" NPT
female and 1/8" NPT Tubing &
Nipple. Gas or Vacuum (shown)
6700-0406-200



Cylinder Wrench with Chain
6700-0020-300