

Operating Instructions 25D-275D Two Stage 130D-175D Single Stage Liquid Ring Vacuum Pumps



It is imperative to read the operating instructions prior to commissioning!

This document as well as all documents included in the appendix is not subject to any update service!

Subject to technical changes.

Index	
1 Important basic information	4
1.1 Target groups	5
1.2 Applicable documents	5
1.3 Warnings and symbols	6
1.4 Terminology	6
2 Safety	7
2.1 Intended use	7
2.2 Possible misuse	7
2.3 General safety instructions	7
2.3.1 Product safety	7
2.3.2 Obligations of the operator	7
2.3.3 Obligations of the staff	8
2.4 Residual risks	8
2.5 Special risks	8
2.5.1 Potentially explosive area	8
2.5.2 Dangerous media to be pumped	8
3 Design and functioning	9
3.1 Marking	9
3.1.1 Nameplate	9
3.1.2 ATEX plate	9
3.1.3 Pump type code	9
3.2 General description	9
3.3 Design and functional principle	9
3.4 Shaft sealing	10
3.4.1 Mechanical seal	10
3.4.2 Packing gland	10
4 Transport, storage and disposal	10
4.1 Transport	10
4.1.1 Unpacking and inspection on delivery	10
4.1.2 Manual transport	10
4.1.3 Transport with lifting gear	11
4.2 Storage	11
4.3 Preservation	11
4.3.1 Preservation inside the system	11
4.3.2 Preservation outside the system	12
4.4 Removing preserving agent	12
4.5 Disposal	13
5 Set-up and connection	14
5.1 Preparing set-up	14
5.1.1 Checking ambient conditions	14
5.1.2 Minimum clearances for heat dissipation	14
5.1.3 Preparing installation site	14
5.1.4 Preparing foundation and surface	14
5.1.5 Removing preserving agent	14
5.2 Set-up with foundation	14
5.2.1 Placing aggregate on foundation	14
5.2.2 Fixing aggregate	15
5.3 Set-up without foundation	15
5.4 Set-up on torsion-resistant level surface/frame	15
5.5 Motor installation	15
5.6 Planning pipe system	16
5.6.1 Dimensioning supports and connections	16
5.6.2 Specifying nominal diameter	16
5.6.3 Specifying pipe lengths	16
5.6.4 Changes in cross-section and direction	16
5.6.5 Safety and control devices	16
5.7 Connecting pipes	16
5.7.1 Providing for clean piping	16
5.7.2 Installing suction pipe	16
5.7.3 Installing pressure pipe	16
5.7.4 Stress-free pipe connection	16
5.8 Fine adjustment of coupling	17
5.8.1 Checking coupling adjustment	17
5.9 Motor adjustment	17
5.10 Electrical connection	17
5.10.1 Motor connection	17
5.10.2 Checking direction of rotation	17
6 Operation	19
6.1 Preparations for commissioning	19
6.1.1 Identifying pump type	19
6.1.2 Removing preserving agent	19
6.1.3 Checking shut-down period	19
6.1.4 Filling	19
6.2 Commissioning	19
6.2.1 Switch-on	19
6.2.2 Switch-off	20
6.3 Setting the operating liquid flow rate	20
6.3.1 Continuous-flow cooling	20
6.3.2 Open circulation cooling	20
6.3.3 Closed circulation cooling	21
6.4 Decommissioning	21
6.5 Re-commissioning	22
6.6 Operating stand-by aggregate	22
7 Maintenance and servicing	23
7.1 Monitoring	23
7.2 Lubrication intervals for rolling bearings	23
7.3 Rinsing off contaminations	23
7.3.1 Minor fine-grained contamination	24
7.3.2 Major fine-grained contamination	24
7.4 Prevention of corrosion and deposits	24
7.5 Disassembly	24
7.5.1 Return to manufacturer	24
7.5.2 Spare parts	24
7.5.3 Pump/aggregate repairs	24
7.5.5 Disassembly of 25D/27D/210D	25
7.5.6 Disassembly of 215D/220D/220HD	25
7.5.8 Disassembly of 130D/140D/160D/175D	26
7.6 Assembly	28
7.6.1 Preparations for assembly	28
7.6.3 Assembly of 25D/27D/210D	28
7.6.6 Assembly of 130D-175D, 225D-275D	30
8 Troubleshooting	33

9 Technical data	36
9.1 Operating limit values	36
9.1.1 Media to be pumped.....	37
9.1.2 Switching frequency.....	37
9.2 General technical data	38
9.2.1 Weight.....	38
9.2.2 Sound level.....	38
9.2.3 Drive power	38
9.2.4 Operating liquid	39
9.2.5 Medium to be pumped.....	39
9.2.6 Operating connections	40
9.2.7 Mechanical seal	40
9.2.8 Ambient conditions	40
9.2.9 Clearances for heat dissipation.....	40
9.2.10 Tightening torques.....	40
9.3 Conical pipe fittings.....	42
9.4 Permissible forces / torques acting on the pump nozzles.....	42
9.4.1 Adjustment dimensions	42
9.5 Lubricants.....	43
9.6 Preserving agents.....	43
9.6.1 Preservation filling volumes	43
9.7 Test pressure for pressure test.....	43
9.8 Accessories	43
10 Appendix	44
10.5 Dimensional drawing 130D.....	44
10.6 Dimensional drawing 140D/160D/175D.....	45
10.8 Dimensional drawing 25D/27D/210D	46
10.9 Dimensional drawing 215D/220D/220HD	47
10.10 Dimensional drawing 225D/250D.....	48
10.11 Dimensional drawing 250D/275D.....	49
10.14 Cross-sectional drawing 130D-175D	50
10.15 Cross-sectional drawing 25D-220HD.....	51
10.16 Cross-sectional drawing 225D-275D	52
10.17 Certificate of conformity.....	53

1 Important basic information

These operating instructions form part of the technical documentation of the system in accordance with the EC machinery directive.

These operating instructions are addressed to the person in charge of the plant, who is obliged to provide them to the staff responsible for system set-up, connection, operation and maintenance.

He must ensure that all information included in the operating instructions and the enclosed documents have been read and understood.

The operating instructions must be kept at a designated and easily accessible place and consulted at the slightest doubt.

The manufacturer does not accept liability for damage to persons, animals, objects or the system itself incurred by improper use, non-observance or incomplete observance of the safety precautions included in these operating instructions or by modifications to the system or use of improper spare parts.

These instructions

- form part of the pump/aggregate.
- apply to all series mentioned herein.
- describe safe and proper operation during all operational phases.
- must be stowed safely throughout the entire service life of the machine.
- must be handed over to future owners of the machine.

Scope of supply

- Liquid ring vacuum pump
- Operating instructions
- Motor (optional)
- Coupling/coupling guard (optional)
- Base plate (optional)
- Accessories (optional):
 - Separator
 - Gas ejector
 - Ball check valves
 - Vacuum check valve
 - Drainage valve

Warranty and liability

Warranty and liability claims arising from personal injury and material damage are excluded if one of the following conditions applies:

- improper use of the liquid ring vacuum pump
- improper mounting, commissioning, operation and maintenance of the liquid ring vacuum pump
- operation of the liquid ring vacuum pump despite defective safety devices
- non-observance of the notes in the operating instructions
- unauthorized constructional changes to the liquid ring vacuum pump
- inadequate maintenance, repair and servicing measures
- catastrophic events caused by foreign bodies or acts of God

1.1 Target groups

Target Group	Task
Operator	<ul style="list-style-type: none">▶ Keep these instructions available at the location of the system, also for later consultation.▶ Advise staff to read and observe these instructions and the provided documents, particularly the safety precautions and warnings.▶ Observe additional provisions and regulations related to the system.
Qualified staff, assembler	<ul style="list-style-type: none">▶ Read, observe and adhere to these operating instructions and all applicable documents, particularly the safety precautions and warnings.





Tab. 1 Target groups and their tasks

1.2 Applicable documents




Document	Purpose
ATEX additional instructions	Operation in potentially explosive areas (only applicable to vacuum pumps designed for use in potentially explosive areas)
Declaration of conformity	Conformity with standards

Tab. 2 Applicable documents

1.3 Warnings and symbols

Warning	Security level	Consequences of non-observances
	imminently hazardous situation	death, severe personal injuries
	potentially hazardous situation	death, severe personal injuries
	potentially dangerous situation	minor personal injuries
	potentially dangerous situation	material damage

Tab. 3 Warnings and consequences of non-observance

Symbol	Meaning
	Safety sign ► Observe all measures marked with the safety sign to avoid personal injuries or death.
	Safety sign ► Observe all measures marked with the safety sign to avoid personal injuries or death by electric shock.
►	Instruction for action
1. , 2. , ...	Multi-step instruction for action
✓	Pre-requisite
→	Cross-reference
	Information, note

Tab. 4 Symbols and meaning

1.4 Terminology

Term	Meaning
Pump	Liquid ring vacuum pump without drive, components or accessories
Aggregate	Complete liquid ring vacuum pump including pump, drive, components and accessories
Auxiliary operating systems	Devices for operating the vacuum pump aggregate
Separator	Device for separating gaseous from liquid media
Gas ejector	Device for operating the vacuum pump aggregate for deep vacuum
Vacuum check valve	Device for limiting the created vacuum
Drainage valve	Device for limiting the filling level in the vacuum pump

Tab. 5 Terminology and meaning

2 Safety

- ① The manufacturer does not accept liability for damage resulting from non-observance of the overall documentation.

2.1 Intended use

- Observe all provisions included in the operating instructions.
- Observe all safety instructions.
- Comply with inspection and maintenance intervals.
- Use the aggregate exclusively for delivery of the permissible media to be pumped (→ General technical data, page 39).
- Operate the pump/aggregate with permissible operating liquid only (→ General technical data, page 39).
- Prevent dry running:
 - The sealing rings of the mechanical seal will be damaged within only few seconds.
 - Ensure that the pump/aggregate is only operated with sufficient operating liquid, never without operating liquid.
- Prevent cavitation:
 - Install a vacuum check valve.
 - Comply with the temperature limits of the operating liquid and the medium to be pumped.
 - Observe the limit values for inlet pressure and pressure difference.
 - Do not operate the pump when the fitting in the suction pipe is closed.
- Prevent overheating:
 - Do not operate the pump/aggregate when fittings are closed.
- Prevent motor damage:
 - Observe the maximum flow rate for delivery of liquids.
 - Observe the switching frequency of the aggregate.
 - The motor protection switch must not be set to a value above nominal current.
- Any use other than the intended use must be agreed with the manufacturer.

2.2 Possible misuse

- Observe the operating limits of the pump/aggregate concerning temperature, pressure, speed, density and viscosity (→ Operating limits, page 36).
- The higher the density of the operating liquid, the higher the motor power consumption. Observe the permissible density to protect the aggregate against overload.
- When delivering solid laden liquids, observe the solid content limit values (→ General technical data, page 39).

- Do not combine multiple limit values (→ Operating limit values, page 36).
- Prevent sudden pressure changes of the gas to be extracted.
- Prevent sudden temperature changes of the gas to be extracted or operating liquid.
- Do not use in rooms where explosive gases may be present unless the pump/aggregate has been expressly intended for such purpose.
- Do not extract, deliver or compact explosive, inflammable, aggressive or toxic media unless the aggregates have been expressly intended for such purpose.
- Unauthorized opening of the pump/aggregate results in the forfeiture of any and all claims for defects.

2.3 General safety instructions

- ① The following provisions must be observed prior to executing any works.

2.3.1 Product safety

The pump/aggregate has been designed in accordance with state-of-the-art technology and the generally acknowledged rules on safety.

Yet, operation of this pump/aggregate may present a threat to the life or physical health of the user or third parties and impair the pump/aggregate and other property.

- Only operate the pump/aggregate in a technically flawless condition and in accordance with the provisions, safety pre-cautions and warnings included in these operating instructions.
- Keep these operating instructions as well as all supplied documents complete and legible and ensure that they can be accessed by staff at all times.
- Refrain from any operating methods which may put staff or uninvolved third parties at risk.
- In case of defects having safety implications: shut down the pump/aggregate immediately and consult the person in charge to rectify the defect.
- In addition to the overall documentation, all legal or other safety and accident prevention regulations as well as all applicable standards and guidelines of the respective country of operation must be observed.

2.3.2 Obligations of the operator

2.3.2.1 Safety-conscious working

- Only operate the pump/aggregate in a technically flawless condition and in accordance with the provisions, safety pre-cautions and warnings included in these operating instructions.
- Ensure and verify compliance with:
 - intended use
 - legal or other safety and accident prevention regulations

- safety regulations applying to handling hazardous sub-stances
- applicable standards and guidelines of the respective country of operation
- Provide for protective equipment.

2.3.2.2 Staff qualification

- Ensure that staff involved in pump/aggregate operation has read and understood these operating instructions and all applicable documents, particularly all safety, maintenance and servicing information, prior to starting work.
- Define clear roles and responsibilities and arrange for staff monitoring.
- All works must only be carried out by technically qualified staff:
 - assembly, servicing, maintenance works
 - works on electrical equipment
- Staff undergoing training must only work on the pump/aggregate under the supervision of technically qualified staff.

2.3.2.3 Safety devices

- Provide for the following safety devices and ensure their proper functioning:
 - for hot, cold and moving parts: on-site protection against contact with the pump/aggregate
 - when electrostatic charging is likely to occur: provide for grounding

2.3.2.4 Warranty

- During the warranty period, conversion works, repairs and modifications are subject to approval by the manufacturer.
- Use original parts or parts approved by the manufacturer only.

2.3.3 Obligations of the staff

- Notes attached to the pump/aggregate must be observed and kept legible, e.g. arrows indicating the direction of rotation, symbols indicating fluid connections.
- Guards for protection against contact with hot, cold and moving parts must not be removed during operation.
- If required, use protective equipment.
- Do not expose parts of the body to the vacuum.
- Works on the pump/aggregate must only be carried out at standstill.
- Prior to carrying out any assembly or maintenance works, de-energize the motor and protect it against restart.
- Having completed all works on the pump/aggregate, duly re-assemble the safety devices.

2.4 Residual risks

⚠ WARNING

Long and loose hair may become entangled in the protective covers of the motor and the shaft coupling.

- ▶ Wear a hairnet!

Risk of injuries caused by flying objects, which were inserted in the openings of the motor fan cover or in the openings of the coupling guard!

- ▶ Do not insert any objects!

Risk of burns/scalds when getting in contact with hot surfaces or hot media!

- ▶ Do not touch!
- ▶ Wear protective gloves!

Risk of injuries caused by operating liquid escaping from a defective mechanical seal!

- ▶ Shut down the pump!
- ▶ Repair the pump!

2.5 Special risks

2.5.1 Potentially explosive area

- (→ ATEX additional instructions)

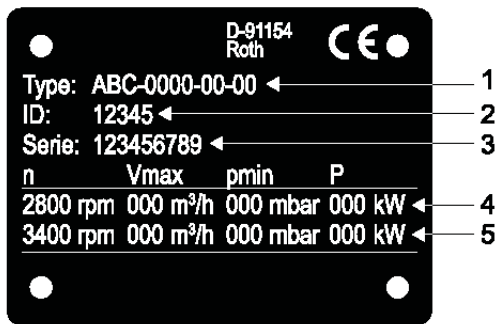
2.5.2 Dangerous media to be pumped

- When dealing with dangerous media to be pumped (e.g. hot, inflammable, explosive, toxic, hazardous to health), observe the safety regulations applying to handling hazardous substances.
- Use protective equipment when carrying out any works on the pump/aggregate.

3 Design and functioning

3.1 Marking

3.1.1 Nameplate



1. Type designation
2. Item identification number (pump / aggregate)
3. Serial number
4. Delivery data at 50 Hz
Nominal speed
Maximum suction volume
Minimum inlet pressure
Power requirements
5. Delivery data at 60 Hz
Nominal speed
Maximum suction volume
Minimum inlet pressure
Power requirements

Fig. 1 Nameplate (example)

3.1.2 ATEX plate



1. Type designation
2. Year of manufacture
3. Serial number
- 4.1 Explosion protection mark: aggregate inside
- 4.2 Explosion protection mark: aggregate outside

Fig. 2 ATEX plate (example)

3.1.3 Pump model number code

	2	20	D
1			
2			
3			

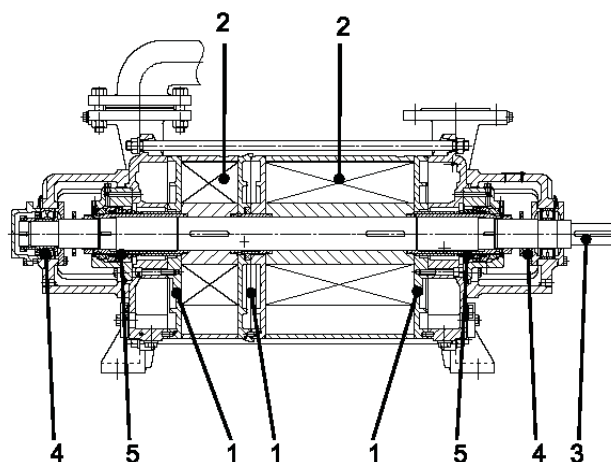
1. 2-Stage pump
2. HP rating of motor
3. Series

Tab. 6 Pump type code (example)

3.2 General Information

The 25D-275D types are two-stage liquid ring vacuum pumps in base plate version.

The motor is connected to the pump shaft (3) via a coupling. The pump shaft (3) is mounted in rolling bearings (4) on both sides. Usually, pump and motor are mounted onto one base plate. Two maintenance-free mechanical seals (5) in the shaft sealing casings are used to seal the pump shaft (3).



1. Inter casings
2. Impeller
3. Motor/pump shaft
4. Rolling bearing
5. Mechanical seal

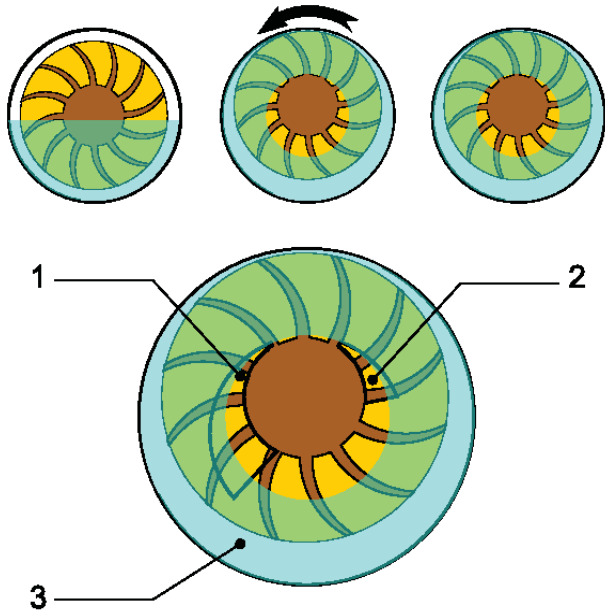
These pumps allow for the delivery of small volumes of liquids. The discharged operating liquid can be re-used when using a separator.

3.3 Design and functional principle

The vacuum pump is operated in accordance with the liquid ring principle. The impeller is positioned off center in the cylindrical pump casing. It transfers the drive power to a liquid ring, which forms concentrically to the casing when the vacuum pump is started.

The gaseous medium remaining in the casing is distributed around the impeller due to the lower density in the hub area. As the impeller is positioned off-centre to the casing, the available space for the gas between the surface of the liquid and the hub becomes crescent-shaped.

This way, the remaining space for the gas between the blades expands and shrinks during each rotation.



1. Suction opening
2. Pressure opening
3. Liquid ring

Fig. 5 Functional principle of liquid ring vacuum pumps

The arrangement of suction and pressure openings in the inter casing allows for the suction, compression and discharge of gas. The liquid both serves the sealing between the individual impeller chambers and the absorption of heat produced during compression.

The vacuum pump must be permanently supplied with operating liquid during operation as a portion of the liquid continuously escapes from the pump together with the gas. The discharged operating liquid can be separated from the gas by means of a downstream separator and re-used.

3.4 Shaft sealing

3.4.1 Mechanical seal

① Mechanical seals may slightly leak for functional reasons.

- Single mechanical seal, unbalanced, dependent on the direction of rotation (standard)
- Double-acting mechanical seal, unbalanced, independent of the direction of rotation
- Special seals

3.4.2 Packing gland

① Packing glands slightly leak for functional reasons.

4 Transport, storage and disposal

① The following accident prevention regulations have to be observed prior to following transport and handling regulations:

- BGV D8 winches, lifting and pulling devices
- BGV D6 load lifting devices

4.1 Transport

① Observe weight data (→ Weight, page 39)

4.1.1 Unpacking and inspection on delivery

1. Unpack the pump/aggregate on delivery and inspect it for transport damage.
2. Report any transport damage to the manufacturer immediately.
3. Dispose of packaging material according to local regulations.

4.1.2 Manual transport

⚠ CAUTION

Risk of injuries caused by lifting heavy loads!

Observe the permissible weights for lifting and carrying machine components.

Type	Sex	Age	Rate per shift		
			rarely < 5%	repeat- edly 5 - 10%	fre- quently > 10- 35%
		[Years]	[kg]	[kg]	[kg]
Lifting	Men	- 16	20	13	-
		17 - 19	35	25	20
		20 - 45	55	30	25
		>45	50	25	20
Lifting	Women	-16	13	9	-
		17-19	13	9	8
		20 - 45	15	10	9
		>45	13	9	8
Carrying	Men	- 16	20	13	-
		17 - 19	30	20	15
		20 - 45	50	30	20
		>45	40	25	15
Carrying	Women	- 16	13	9	-
		17 - 19	13	9	8
		20 - 45	15	10	9
		>45	13	9	8
Lifting and carrying	Expectant Mothers		10 (5) (legal draft)	5 (legal draft)	

Source: Bavarian State Office for Occupational Safety, Occupational Medicine and Safety Technology

Tab. 7 Maximum weights for manual lifting

- Suitable lifting gear and means of transport must be used for components exceeding the max. weights!

4.1.3 Transport with lifting gear

⚠ DANGER

Risk of death or contusions from falling goods to be transported!

- ▶ Select lifting gear in accordance with the total weight to be transported.
- ▶ Transport the pump/aggregate in horizontal position only.
- ▶ Never suspend the pump/aggregate to the free shaft end or the ring lug of the motor.
- ▶ Attach the lifting gear in accordance with the following figures.
- ▶ Do not stand under suspended loads.

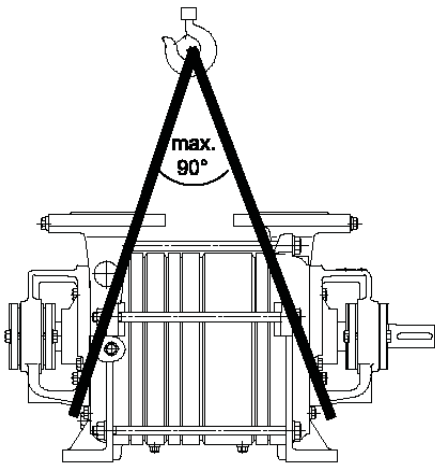


Fig. 6 Attaching lifting gear to the pump

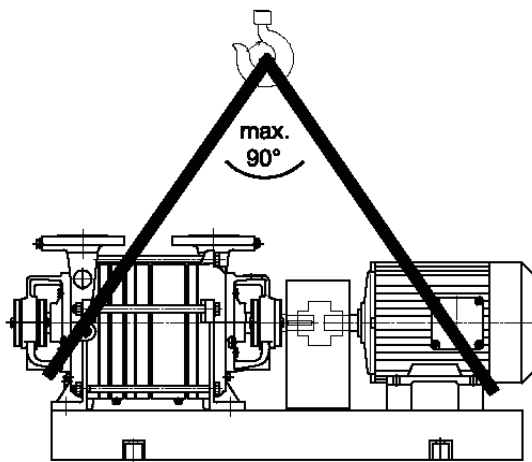


Fig. 7 Attaching lifting gear to the aggregate

- ▶ Lift the pump/aggregate accordingly.

4.2 Storage

Pumps/aggregates treated by the factory have been provided with an anticorrosive coating. When properly stored indoors, the pump/aggregate is protected for a maximum of 3 months. In case of longer storage periods, the pump/aggregate has to be treated with a preserving agent again (→ 4.3 Preservation).

For storing pumps/aggregates which have already been in use, the preparations specified in Paragraph 4.3 Preservation must be made.

Applied preserving agents (→ page 45)

CAUTION

Risk of material damage caused by improper storage!

- ▶ Store the pump/aggregate accordingly.

1. Close all openings with blank flanges, plugs or plastic covers.
2. Make sure the storage room meets the following conditions:
 - dry
 - frost-free
 - vibration-free
 - protected
 - constant humidity
3. Turn the pump shaft once per month.
4. Make sure the pump shaft and bearing change their rotational position in this process.

4.3 Preservation

- ① Not necessary for rust-proof material

CAUTION

Risk of material damage caused by improper preservation!

- ▶ Properly apply preserving agent to the inside and outside of the pump.
1. Select a preserving agent in accordance with the type and duration of storage (→ page 45).
 2. Use preserving agents in accordance with the manufacturer's specifications.
 3. Coat all bare metal components positioned inside and outside the pump with preserving agent.
 4. Treat the impeller gap with a preserving agent.

4.3.1 Preservation inside the system

CAUTION

Risk of material damage caused by improper preservation!

- ▶ Shut down the aggregate (→ Shut down, page 20).

① Use appropriate collecting trays. Position of drainage bores (Ue, Ue1) (→ Dimensional drawings, page 46 et seq.).

- Unscrew the screw plugs of all drainage bores (Ue, Ue1).
- Drain the operating liquid (water).
- Occasionally rotate the pump shaft/motor shaft towards the direction of rotation of the pump.
- Continue with this process until no more liquid escapes.
- Plug all drainage bores with screw plugs.
- Remove the pipes from the suction, pressure and process water connections.
- Plug the outlet nozzle and the process water connection by means of blank flanges/screw plugs.
- Fill in preserving agent into the open inlet nozzle. Observe the filling volumes. (→ Filling volumes for preservation, page 45).
- Plug the inlet nozzle with a blank flange.
- Switch the aggregate shortly on and off to allow for a proper distribution of the preserving agent.
- Unscrew the screw plugs of all drainage bores (Ue) and the operating liquid connection (UB).
- Drain the preserving agent into collecting trays.
- Occasionally rotate the pump shaft/motor shaft towards the direction of rotation of the pump.
- Continue with this process until no more preserving agent escapes.
- Close the suction, pressure and operating liquid connection (UB) using transport or sealing covers.
- Plug all drainage bores (Ue, Ue1) with screw plugs.

4.3.2 Preservation outside the system

CAUTION

Risk of material damage caused by improper preservation!

- ▶ Shut down the aggregate (→ Shut-down, page 20; Return to manufacturer, page 22).

① Use appropriate collecting trays. Position of drainage bores (Ue, Ue1) (→ Dimensional drawings, page 46 et seq.).

- Plug all drainage bores (Ue, Ue1) with screw plugs.
- Close the operating liquid connection (UB) using blank flanges/screw plugs.
- Fill in preserving agent into the open inlet or outlet nozzle until the agent becomes visible. Observe the filling volumes (→ Filling volumes for preservation, page 45).
- Occasionally rotate the pump shaft/motor shaft towards the direction of rotation of the pump.

- Continue this process until the preserving agent appears approx. 1 inch below the upper edge of the inlet/outlet nozzle.
- Unscrew the screw plugs of all drainage bores (Ue) and the operating liquid connection (UB).
- Drain the preserving agent into collecting trays.
- Occasionally rotate the pump shaft/motor shaft towards the direction of rotation of the pump.
- Continue with this process until no more preserving agent escapes.
- Close the suction, pressure and operating liquid connection (UB) using transport or sealing covers.
- Plug all drainage bores (Ue, Ue1) with screw plugs.

4.4 Removing preserving agent

① Only required for treated pumps/aggregates

CAUTION

Risk of bearing damage caused by excessive water pressure or splash water!

- ▶ Do not treat bearing areas with water or steam jet.

CAUTION

Risk of seal damage caused by improper cleaning agents!

- ▶ Ensure that cleaning agents do not harm the seals.

1. Use cleaning agents which are appropriate for your respective application.
2. Rinse off preserving agent and collect it together with the rinsing agent.
3. Dispose of preserving agent according to local regulations.
4. For storage periods exceeding 6 months:
 - Replace elastomer components made of EP rubber (EPDM).
 - Check all elastomer components (O-rings, shaft sealings) for proper elasticity and replace if required.

4.5 Disposal

WARNING

Risk of intoxication and environmental damage caused by media to be pumped!

- ▶ Prior to disposing the pump/aggregate:
 - Collect escaping media to be pumped and dispose of separately in accordance with local regulations.
 - Neutralize residues of media to be pumped in the pump/aggregate.
 - Remove preserving agent (→ page 13).
 - Disassemble plastic parts and dispose of in accordance with local regulations.
-
- ▶ Assign an authorized company to dispose of the pump/aggregate to prevent the risk of environmental damage!

5 Set-up and connection

For pumps/aggregates in potentially explosive areas (→ ATEX additional instructions)

CAUTION

Risk of material damage caused by contamination!

- ▶ Do not remove transport locks until immediately before setting up the pump/aggregate.
- ▶ Do not remove covers, transport and sealing caps until immediately before connection of the pipes to the pump/aggregate.

5.1 Preparing set-up

5.1.1 Checking ambient conditions

- ▶ Make sure the required ambient conditions are maintained (→ Ambient conditions, page 41).
- ▶ For pump/aggregate set-up at an altitude of > 3000 Ft above sea level, consult the manufacturer.

5.1.2 Minimum clearances for heat dissipation

- ① Minimum clearances (→ Clearances for heat dissipation, page 41)

5.1.3 Preparing installation site

- ▶ Make sure the installation site meets the following conditions:
 - the pump/aggregate is freely accessible from all sides
 - sufficient space for installing/disassembling the pipes as well as for maintenance and repair works, particularly for installation/disassembly of the pump/aggregate and the motor, is provided for.
 - the pump/aggregate is not exposed to external vibrations (bearing damage)
 - frost protection

5.1.4 Preparing foundation and surface

- ① Set-up options:
 - with concrete foundation
 - with steel foundation frame
 - without foundation
- ▶ Make sure foundation and surface meet the following conditions:
 - level
 - clean (free of oil, dust or other contaminations)
 - load carrying capacity is in accordance with the dead weight of the aggregate and all operating forces
 - adequate aggregate stability
 - with concrete foundation: standard concrete of strength class B 25

5.1.5 Removing preserving agent

- ▶ If the pump/aggregate is commissioned directly after set-up and connection: remove preserving agent prior to set-up (→ Removing preserving agent, page 13).

5.2 Set-up with foundation

- ① Only possible with base plate

CAUTION

Risk of material damage caused by distortion of the base plate!

- ▶ Position and fix the base plate on the foundation as follows.

5.2.1 Placing aggregate on foundation

- ✓ Auxiliary means, tools, material:
 - foundation bolts (→ Set-up drawing)
 - steel washers
 - non-shrinking mortar grout
 - spirit level
- 1. Lift the aggregate (→ Transport, page 11).
- 2. Hook the foundation bolts from below into the base plate fixing holes.
- ① Observe the manufacturer's specifications when using adhesive anchors.
- 3. Place the aggregate on the foundation. Insert the foundation bolts into the provided anchoring holes.

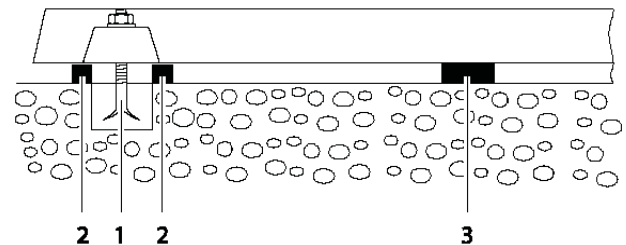


Fig. 8 Set-up with foundation

- 4. Use steel washers to align the aggregate to height and system dimensions as follows:
 - Place 1 steel washer (2) at the left and right hand side of each foundation bolt (1).
 - With > 30 inches clearances between the anchoring holes, an additional steel washer (3) must be positioned in the middle of each side of the base plate.
- 5. Make sure the steel washers are in surface contact with the base plate.
- 6. Use the integrated spirit level to check whether the aggregate is level end to end and side to side with a maximum allowable tilt of 1 mm/m.
- 7. Repeat this process until the base plate has been correctly aligned.

5.2.2 Fixing aggregate

- ① Filling the base plate with mortar grout improves the dampening behaviour.
1. Fill the anchoring holes with mortar grout.
2. When the mortar grout has set, bolt down the base plate with the specified torque at three points (→ Tightening torques, page 42).
3. Before tightening the remaining bolts, compensate for any unevenness in the surface using metal spacing shims next to each bolt.
4. Make sure the base plate is not distorted.

5.3 Set-up without foundation

- ① With base plate

✓ Auxiliary means, tools, material:

- wrench
- spirit level



1. Hexagon nut
2. Hexagon nut
3. Levelling foot

Fig. 9 Set-up without foundation

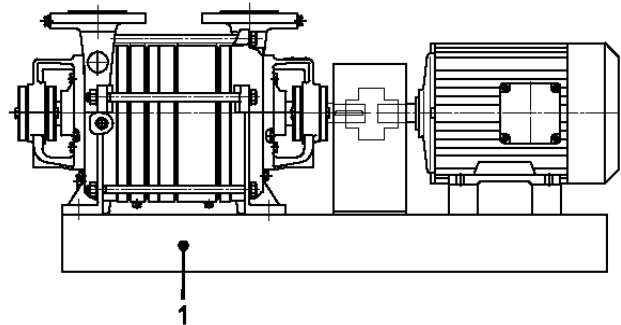
1. Lift the base plate with the aggregate (→ Transport with lifting gear, page 11).
2. Mount the four levelling feet as illustrated.
3. Position the aggregate on the surface.
4. Adjust the base plate height by means of the levelling feet as illustrated above:
 - Use the wrench to hold the hexagon nut at the levelling foot (3).
 - Loosen the hexagon nut (1).
 - The height can be adjusted by turning the hexagon nut (2).
 - Tighten the hexagon nut (1) (→ Tightening torques, page 42).
 - Use the integrated spirit level to check whether the aggregate is level end to end and side to side with a maximum allowable tilt of 1 mm/m.
 - Repeat this process until the base plate has been correctly aligned.

5.4 Set-up on torsion-resistant level surface/frame

- ① Only possible with motor feet

✓ Auxiliary means, tools, material:

- wrench



1. Surface/frame

Fig. 10 Set-up on level surface/frame

1. Mount the motor feet as illustrated (→ Dimensional drawings, page 46 et seq.).
2. Position the aggregate on a torsion-resistant level surface/frame.
3. Screw the aggregate to the surface/frame.

5.5 Motor installation

- ① Only necessary if aggregate set-up is completed at the installation site.

CAUTION

Risk of material damage caused by knocks and bumps!

- ▶ Do not tilt the coupling halves when slipping them on.
- ▶ Do not knock on or hit any pump components.

1. Apply a razor-thin layer of molybdenum disulfide (e.g. Molykote®) on the pump and motor shaft.
2. Insert fitting keys (if required).
3. Without mounting rig:
 - Remove the rubber buffers
 - Heat the coupling halves to approx. 212 °F
4. Slip on the pump and motor-side coupling halves until the shaft end is flush with the coupling hub.
 - Make sure to keep the required clearance between the coupling halves (→ Fine adjustment of coupling, page 16).
5. Tighten the grub screws on both coupling halves.
6. Lift the motor and put it down on the base plate.
7. Adjust the motor shaft to the height of the pump shaft using suitable shims for the motor.
8. Screw in and slightly tighten the motor screws.

5.6 Planning pipe system

5.6.1 Dimensioning supports and connections

CAUTION

Risk of material damage if the pipes apply excessive forces and torques to the pump/aggregate!

- ▶ Make sure the permissible values are complied with (→ DIN ISO 9908).

1. Calculate the piping forces and observe all operating conditions:
 - cold/warm
 - empty/filled
 - depressurized/pressurized
 - position changes
2. Make sure the pipe supports have permanent low-friction properties and do not seize up due to corrosion.
3. If required, provide for pipe compensators.

5.6.2 Specifying nominal diameter

- ① Size of suction/pressure connections (→ Operating connections, page 41)
- ▶ Keep the flow resistance in the pipes as low as possible.

1. Nominal suction pipe diameter \geq nominal suction connection diameter
2. Nominal pressure pipe diameter \geq nominal pressure connection diameter.

5.6.3 Specifying pipe lengths

1. Dimension the suction, pressure and operating liquid pipes as short as possible.
 2. Increase the pipe cross-sections when using long suction, pressure and operating liquid pipes.
- ① The pressure pipe must not rise more than 1 Ft vertically or diagonally upwards.

5.6.4 Changes in cross-section and direction

1. Avoid radii of curvature of less than 1.5 times the nominal pipe diameter.
2. Avoid sudden changes of cross-section and direction along the piping.

5.6.5 Safety and control devices

5.6.5.1 Avoiding contamination

1. Integrate low-resistance filters in the suction pipe.
2. Install a differential pressure gauge with contact manometer to monitor the contamination process.

5.6.5.2 Avoiding backflow

- ▶ Install a ball check valve between the suction pipe and the suction connection of the aggregate to prevent operating liquid from flowing back into the suction pipe after aggregate shut-down.

5.6.5.3 Provisions for isolating and shutting off pipes

- ① For maintenance and repair works
- ▶ Provide for shut-off devices in the suction, pressure and process water pipes.

5.6.5.4 Provisions for measuring operating conditions

1. For pressure measuring: provide for manometers in the suction and pressure pipe.
2. Provide for a power sensor at the motor side.

5.7 Connecting pipes

5.7.1 Providing for clean piping

CAUTION

Risk of material damage caused by pump/aggregate contamination!

- ▶ Make sure contamination does not enter the pump/aggregate.

1. Clean all piping parts and fittings prior to assembly
2. Make sure no flange seals project inwards.
3. Make sure no sealing material (sealing tape, adhesive) projects inwards.
4. Remove any blank flanges, plugs, protective foils and/or protective paint from the flanges.

5.7.2 Installing suction pipe

1. Remove the transport and sealing covers from the pump/aggregate.
2. Avoid air pockets: lay out the pipes with a continuous slope down to the aggregate.
3. Make sure no seals project inwards.
4. Make sure no sealing material (sealing tape, adhesive) projects inwards.
5. Install a ball check valve in the suction pipe to prevent operating liquid from flowing into the suction pipe at stand-still.

5.7.3 Installing pressure pipe

1. Remove the transport and sealing covers from the pump/aggregate.
2. Install the pressure pipe.
3. The pressure pipe must not rise more than 1 Ft vertically or diagonally upwards.
4. Avoid air pockets: lay out the pipes with a continuous slope from the aggregate.
5. Make sure no seals project inwards.
6. Make sure no sealing material (sealing tape, adhesive) projects inwards.

5.7.4 Stress-free pipe connection

- ① For the layout of piping, observe VDMA standard sheet 24277 on stress-free pipe connections.

5.8 Fine adjustment of coupling

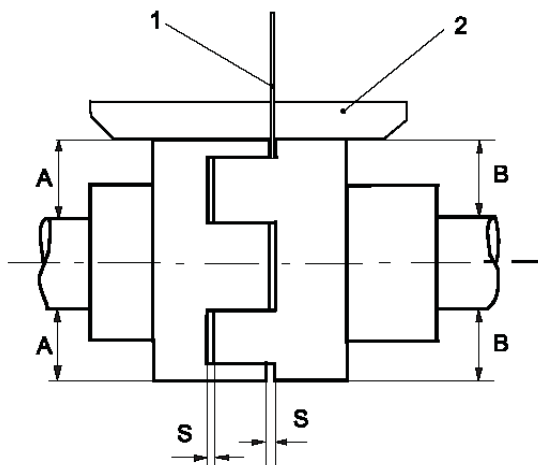
CAUTION

Risk of material damage caused by improper coupling adjustment!

- ▶ Accurately adjust the motor to the pump in case of height, lateral or angular offset.
- ▶ For detailed information and special couplings: (→ Manufacturer's specifications).

5.8.1 Checking coupling adjustment

- ✓ Auxiliary means, tools, material:
 - feeler gauge
 - straightedge
 - dial gauge (possible with couplings with spacer)
 - other suitable tools, e.g. laser adjustment tool



1. Gauge
2. Straightedge

Fig. 11 Checking coupling adjustment

- ✓ Coupling guard has been disassembled.

1. Take the measurements at the circumference of the coupling in two planes with a 90° offset.
2. Check the light gap towards the outer diameter using a straightedge (1):
 - Position the straightedge over both coupling halves.
 - Adjust the motor if you detect a light gap at the outer diameter (→ Motor adjustment, page 17).
3. Check the gap size using a feeler gauge (2):
 - Permissible gap size (→ Dimensional drawings, page 46 et seq.).
 - Use a feeler gauge to measure the gap (A) between the coupling halves.
 - If the measured gap size is impermissible, adjust the motor (→ Motor adjustment, page 17).
4. Install the coupling guard.

5.9 Motor adjustment

1. Adjust the motor in a way which ensures that the coupling halves are accurately aligned and use adjustment shims if required.
2. Check the motor adjustment.
3. Repeat the adjustment process if height or angular offset have not yet been fully compensated.
4. Then, tighten the motor screws.

5.10 Electrical connection



RISK OF ELECTRIC SHOCK

Risk of death from electric shock!

- ▶ Any electrical works must be carried out by qualified electricians only.
- ▶ Observe the IEC 30364 (DIN VDE 0100) and for potentially explosive areas the IEC 60079 (DIN VDE 0165) standard.

⚠ DANGER

Risk of death from rotating parts!

- ▶ Make sure to only operate the aggregate with all covers (fan hood) installed.

5.10.1 Motor connection

- ① Observe the manufacturer's specifications for the motor.
1. Connect the motor in accordance with the circuit diagram.
 2. Exclude any risk associated with electric power.
 3. Install an Emergency-Stop button.

5.10.2 Checking direction of rotation

⚠ DANGER

Risk of death from rotating parts!

- ▶ Use protective equipment when carrying out any works on the aggregate.
- ▶ Keep an adequate distance to rotating parts.

CAUTION

Risk of material damage caused by dry running or incorrect direction of rotation!

- ▶ Pump filled with operating liquid up to the middle of the shaft (→ Filling, page 18).
1. Switch the aggregate on and immediately off again.
 2. Check whether the direction of rotation of the motor is in accordance with the arrow indicating the direction of rotation on the aggregate.

- ① Wrong direction of rotation may result in damage and escape of operating liquid at the mechanical seal.



RISK OF ELECTRIC SHOCK

Risk of death from electric shock!

- ▶ Any electrical works must be carried out by qualified electricians only.
 - ▶ Observe the IEC 30364 (DIN VDE 0100) and for potentially explosive areas the IEC 60079 (DIN VDE 0165) standard.
-
3. In case of deviating direction of rotation: Swap the two phases.

6 Operation

For pumps/aggregates in potentially explosive areas (→ ATEX additional instructions)

6.1 Preparations for commissioning

6.1.1 Identifying pump type

- ▶ Identify the pump/aggregate type (→ Nameplate, page 9).
- ① Pump/aggregate types vary, e.g. with regard to material, suction capacity, type of shaft sealing, auxiliary operating systems.

6.1.2 Removing preserving agent

- ① Only required for treated pump.
- ▶ Remove preserving agent (→ Removing preserving agent, page 14).

6.1.3 Checking shut-down period

- ▶ Shut-down periods > 1 year: contact the manufacturer and ask for required measures.
- ▶ Shut-down periods < 1 year: take all steps as required for commissioning (→ Commissioning, page 18).

6.1.4 Filling

1. Remove the screw plug from port UV (→ Dimensional drawings, page 46 et seq.).
2. Fill the pump with operating liquid maximally up to the middle of the shaft.
3. When operating liquid escapes from port UV, stop the filling process.
4. Screw the screw plug into port UV (→ Dimensional drawings, page 46 et seq.).
5. Open the suction-side fitting.
6. Open the pressure-side fitting.
7. Make sure all ports and connections are tight.

6.2 Commissioning

6.2.1 Switch-on

- ✓ Aggregate correctly set up and connected
- ✓ Motor correctly connected
- ✓ Coupling adjustment checked
- ✓ All connections stress-free and sealed
- ✓ If available: auxiliary operating systems ready for operation
- ✓ All safety devices installed and checked for proper functioning
- ✓ Pump/aggregate properly prepared and filled

⚠ DANGER

Risk of injuries caused by running aggregate!

- ▶ Do not touch the running aggregate.
- ▶ Do not carry out any works on the running aggregate.



RISK OF ELECTRIC SHOCK

Risk of death from electric shock!

- ▶ Any electrical works must be carried out by qualified electricians only.
- ▶ Observe the IEC 30364 (DIN VDE 0100) and for potentially explosive areas the IEC 60079 (DIN VDE 0165) standard.

⚠ WARNING

Risk of injuries caused by vacuum or harmful media to be pumped and operating liquid!

- ▶ Use protective equipment when carrying out any works on the pump/aggregate.

CAUTION

Risk of material damage caused by dry running!

- ▶ Make sure the pump has been properly filled.

CAUTION

Risk of cavitation when throttling down the suction flow!

Risk of cavitation when the fitting in the suction pipe is closed!

- ▶ Completely open the suction-side fitting and do not use it for controlling the flow rate.
- ▶ Open the pressure-side fitting.

CAUTION

Risk of material damage caused by a closed pressure pipe!

- ▶ Do not operate the aggregate when the pressure-side fitting is closed.
- ▶ Observe the max. permissible operating limits (→ Operating limit values, page 36).
 - max. permissible pressure difference
 - max. permissible compression pressure
 - max. permissible operating liquid temperature
 - max. permissible operating liquid viscosity
 - max. permissible operating liquid density
 - max. permissible temperature of the medium to be pumped

1. Open the pressure-side fitting.
2. Ventilation port (if available): open the fitting.
3. Switch on the motor.
4. Operating liquid: open the fitting.
5. Open the suction-side fitting.
6. Ventilation port (if available): Close the fitting as soon as the motor has reached its nominal speed.
7. Provide for a smooth running behaviour of the aggregate.
8. Check the aggregate and connections for tightness.

6.2.2 Switch-off

⚠ WARNING

Risk of injuries caused by vacuum or harmful media to be pumped and operating liquid!

- ▶ Use protective equipment when carrying out any works on the aggregate.

1. Operating liquid: close fitting.
2. Switch off the motor.
3. Ventilation port (if available): open the fitting.
4. Check all connecting screws and tighten them if required (only after initial commissioning).

CAUTION

Risk of aggregate damage resulting from vacuum condition!

- ▶ Aerate the aggregate during switch-off.
- ▶ Do not leave the aggregate under vacuum.

- ① If the aggregate is not aerated, the mechanical seals will be subject to damage.

6.3 Setting the operating liquid flow rate

6.3.1 Continuous-flow cooling

- ▶ Switch on the aggregate.
- ▶ Set the pressure in the operating liquid pipe to max. 3 PSI overpressure (→ Diagram Fig. 12).

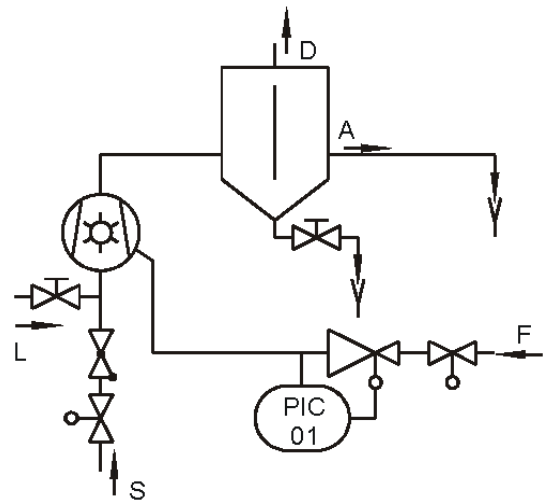


Fig. 12 Continuous-flow cooling

6.3.2 Open circulation cooling

- ▶ Switch on the aggregate.

Set the pressure in the operating liquid pipe to max. 3 PSI overpressure (→ Diagram Fig. 13, 14, 15).

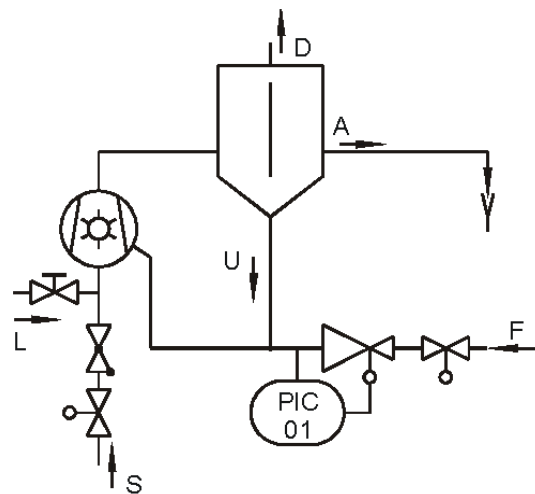


Fig. 13 Open circulation cooling

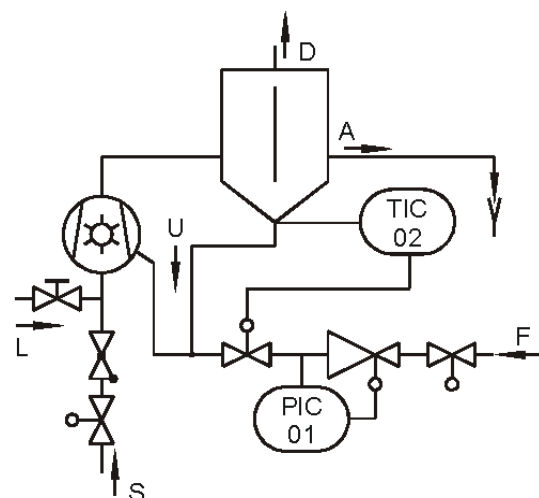


Fig. 14 Open circulation cooling with temperature control

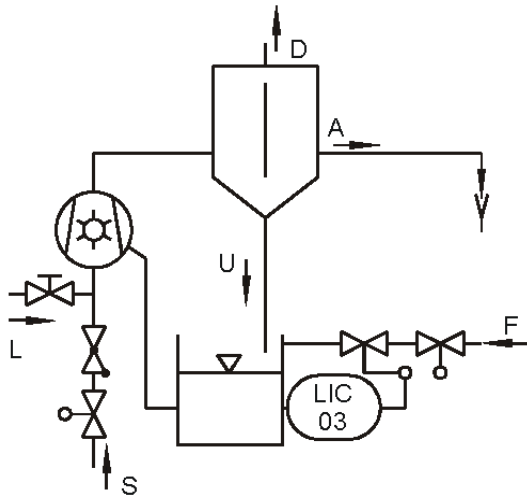


Fig. 15 Open circulation cooling with controlled liquid feed

- ▶ Observe the permissible operating liquid temperature (→ Operating liquid, page 40).

6.3.3 Closed circulation cooling

- ▶ Switch on the aggregate.
- ▶ Set the pressure in the operating liquid pipe to a value which is 1.5 PSI smaller than the compression pressure (→ Diagram Fig. 16).

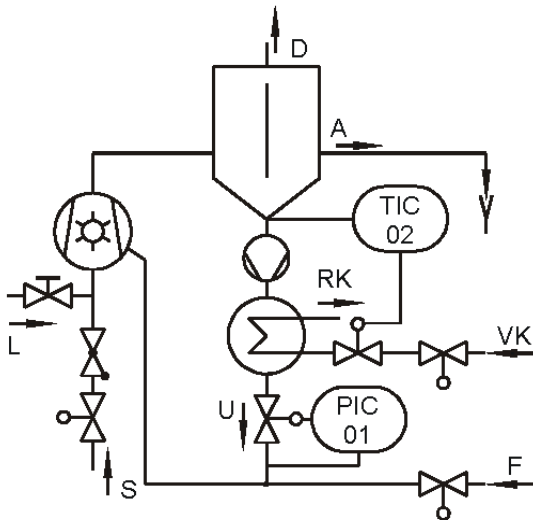


Fig. 16 Closed circulation cooling

- ▶ Observe the permissible operating liquid temperature (→ Operating liquid, page 40).

Pos.	Meaning
S	Suction connection
L	Ventilation port
D	Pressure connection
A	Overflow
U	Circulation liquid
F	Fresh liquid
VK	Feed-in cooling agent
RK	Return cooling agent
TIC	Temperature
PIC	Pressure
LIC	Filling level

Tab. 8 Legend of symbols

6.4 Decommissioning

⚠ WARNING

Risk of injuries caused by vacuum or harmful media to be pumped and operating liquid!

- ▶ Use protective equipment when carrying out any works on the pump/aggregate.
- ▶ Reliably collect escaping media to be pumped and dispose of in an environmentally-friendly way.

Implement the following measures when taking the pump/aggregate out of operation:

Pump/aggregate is	Measure
shut down while remaining ready for operation	▶ Shortly operate (approx. 5 minutes) the aggregate at intervals of at least one month but not exceeding three months (→ Commissioning, page 18).
shut down for a longer period of time	▶ Implement measures in accordance with the condition of the operating liquid. (→ Tab.10 Measures depending on the behaviour of the operating liquid)
drained	▶ Close all fittings.
disassembled	▶ Disconnect the motor from the power supply and secure it against unauthorized switch-on.
stored	▶ Observe the measures to be implemented for storage (→ Storage, page 12).

Tab. 9 Measures to be taken when putting the pump out of operation

Operating liquid	Duration of shut-down (process-dependent)	
	Short	Long
Water	▶ Drain pump/ aggregate and separator.	▶ Drain pump/aggregate and separator. ▶ Treat pump/ aggregate with a preserving agent (→ Preservation, page 12)
Other media	-	▶ Drain pump/ aggregate and separator. ▶ Treat pump/ aggregate with a preserving agent (→ Preservation, page 12).

Tab. 10 Measures depending on the behaviour of the operating liquid

6.5 Re-commissioning

Shut-down periods > 1 year:

1. Prepare commissioning (→ Preparations for commissioning, page 18).
2. Perform commissioning procedures (→ Commissioning, page 18).
3. Monitor the aggregate following commissioning (→ Monitoring, page 21).

6.6 Operating stand-by aggregate

✓ Stand-by aggregate filled

- ① Operate the stand-by aggregate at least once per week.

7 Maintenance and servicing

- ① For pumps/aggregates in potentially explosive areas (→ ATEX additional instructions)
- ① A qualified service team provides support for assembly and repair works. Provide a certificate documenting the safety of the media to be pumped (DIN safety data sheet or certificate of conformity) when ordering this service (→ Certificate of conformity, page 62).

7.1 Monitoring

- ① Inspection intervals depend on the operational strain on the pump/aggregate.



RISK OF ELECTRIC SHOCK

Risk of death from electric shock!

- ▶ Any electrical works must be carried out by qualified electricians only.
- ▶ Observe the IEC 30364 (DIN VDE 0100) and for potentially explosive areas the IEC 60079 (DIN VDE 0165) standard.

⚠ DANGER

Risk of injuries caused by running aggregate!

- ▶ Do not touch the running aggregate.
- ▶ Do not carry out any works on the running aggregate.

⚠ WARNING

Risk of injuries caused by vacuum and harmful media to be pumped and operating liquid!

- ▶ Use protective equipment when carrying out any works on the aggregate.

1. Check at appropriate intervals:
 - deposits on aggregate and separator (if available)
 - compliance with the operating liquid flow rate
 - compliance with the operating liquid temperature
 - compliance with the max. permissible compression pressure
 - compliance with the limit values applicable to the de-livery of liquids
 - power consumption of the drive
 - contamination of the drive
 - contamination of filters (if available)
 - running noise of the rolling bearings (motors)
 - normal operating conditions unchanged

2. For trouble-free operation, ensure the following:

- no dry running
- tightness
- no cavitation
- open gate valves at the suction side
- free and clean filters
- no unusual running noise or vibrations
- no impermissible leaks at the shaft sealing
- proper functioning of the auxiliary operating systems (if available)

3. Check shaft sealing:

- ① Mechanical seals are maintenance-free sealing systems.
 - In case of leaks: Have the mechanical seal with auxiliary seals replaced by service staff or the manufacturer. Check auxiliary operating systems (if available) for proper functioning or have them checked.

7.2 Lubrication intervals for rolling bearings

Pump types 25D - 220HD are equipped with maintenance-free rolling bearings (sealed deep groove ball bearings).

Pump types 130D-175D and 225D-275D are equipped with rolling bearings which have to be maintained in regular intervals.

Type	Interval [h]	Amount of lubricant per bearing [g]
130D 225D/240D	2000	8
140D-175D 250D/275D	2000	15

The lubrication intervals apply to bearing temperatures of up to 158°F. Temperature rises of 59°F require lubrication at half intervals.

For initial filling, a high-temperature grease containing a poly-urea-based thickener by Fuchs (Renolit PU-FH 300) is used.

7.3 Rinsing off contaminations

⚠ DANGER

Risk of injuries caused by hot, harmful or environmentally hazardous media to be pumped!

- ▶ Do not rinse when delivering harmful or environmentally hazardous media with the aggregate.
- ▶ Use protective equipment when carrying out any works on the aggregate.

7.3.1 Minor fine-grained contamination

1. Switch on the aggregate.
2. Remove the screw plug Ue (→ Dimensional drawings, page 46 et seq.).
3. Collect contamination and escaping operating liquid and dispose of in an environmentally-compatible way.
4. Screw in the screw plug.

7.3.2 Major fine-grained contamination

- ▶ Replace screw plug Ue by a fitting.
- ▶ Close fittings before switching on the aggregate.
- ▶ Fill the pump with operating liquid up to the middle of the shaft.

1. Switch on the aggregate.
2. Open the fittings for drainage.
3. Collect contamination and escaping operating liquid and dispose of in an environmentally-compatible way.

7.4 Prevention of corrosion and deposits

When using water as operating liquid, the pump has to be protected against corrosion and deposits. Within this context, certain water quality standards must be met (→ Operating liquid, page 40).

When using operating liquids other than water, please contact the manufacturer.

7.5 Disassembly

⚠ DANGER

Risk of injuries caused by running aggregate!

- ▶ Do not touch the running aggregate.
- ▶ Do not carry out any works on the running aggregate.
- ▶ Prior to carrying out any assembly or maintenance works, de-energize the motor and protect it against restart.



RISK OF ELECTRIC SHOCK

Risk of death from electric shock!

- ▶ Any electrical works must be carried out by qualified electricians only.
- ▶ Observe the IEC 30364 (DIN VDE 0100) and for potentially explosive areas the IEC 60079 (DIN VDE 0165) standard.

⚠ WARNING

Risk of injuries caused by vacuum and harmful media to be pumped and operating liquid!

- ▶ Use protective equipment when carrying out any works on the pump/aggregate.
- ▶ Make sure the pump/aggregate is depressurized.
- ▶ Drain the pump. Reliably collect operating liquid and media to be pumped and dispose of in an environmentally-compatible way.

7.5.1 Return to manufacturer

- ✓ Aggregate shut down
- ✓ Aggregate depressurized
- ✓ Pump completely drained
- ✓ Electrical connections isolated and motor secured against re-start
- ✓ Auxiliary operating systems shut down, depressurized and drained (if available)
- ✓ Connecting pipes removed
- ✓ Manometer lines, manometer and fixtures removed

1. Loosen the fixing screws.
2. Lift the aggregate out of the system (→ Transport, page 11).
3. Decontaminate pump/aggregate.
4. Attach transport and sealing covers.
5. Send a certificate of conformity to the manufacturer. If required, request a certificate of conformity from the manufacturer.

7.5.2 Spare parts

- ① Spare parts are available from your supplier or the manufacturer.

The following data are required for spare part orders.

- Number of the pump/aggregate (→ Nameplate, page 9)
- Type of pump/aggregate (→ Nameplate, page 9)
- Item number of spare part (→ Cross-sectional drawing, page 48 et seq.)
- Designation of spare part (→ Cross-sectional drawing, page 48 et seq.)
- Number of spare parts

7.5.3 Pump/aggregate repairs

1. The following must be observed during assembly:
 - Worn parts must be replaced by original spare parts.
 - Replace the seals.
 - Observe the specified tightening torques (→ Tightening torques, page 42).

2. 2. Clean all parts.
3. 3. Install the pump/aggregate inside the system (→ Set-up and connection, page 14).

7.5.5 Disassembly of 25D/27D/210D

① Cross-sectional drawing 25D-210D → page 48

✓ The pump has been removed from the system and is stored in a clean and level assembly area.

1. Disassembly of pipes (not applicable to 25D)
 - Loosen the hexagon nuts (920/920.1), remove the pipes (700/700.1) and seals (400).
2. Disassembly of bearing housing on suction casing (drive side)
 - Remove the fitting key (940) from the pump shaft (211).
 - Loosen the hexagon head screws (901.1) on the bearing housing (330), pull the bearing housing with the rolling bearing (320) off the pump shaft (211).
3. Disassembly of mechanical seal (RU 1) (→ Preparations for assembly, page 26)
 - Loosen the hexagon head screws (901.1) on the shaft sealing casing (441).
 - Pull the shaft sealing casing (441) and the rotating unit of the mechanical seal (047) off the pump shaft (211).
4. Disassembly of bearing housing on the discharge casing (non-drive side)
 - Loosen the hexagon head screws (901.1) and take off the bearing cover (360.1).
 - Loosen the lock washer (931.1) and the shaft nut (921) and pull them off.
 - Loosen the hexagon head screws (901.1) and pull the bearing housing (330) with the rolling bearing (320) off the pump shaft (211).
5. Disassembly of mechanical seal (RU 2) (→ Preparations for assembly, page 26)
 - Loosen the hexagon head screws (901.1) and pull the shaft sealing casing (441) off the pump shaft (211).
 - Pull the rotating unit of the mechanical seal (047.1) off the pump shaft (211).
6. Disassembly of suction casing
 - Rotate the pump 90° (drive side pointing up).
 - Loosen the hexagon nuts (920.1), remove the nuts and casing bolts (563).
 - Remove the suction casing (106).

7. Disassembly of stage casing and pump shaft

- Remove the stage casing (110).
- Remove the pump shaft (211) with the impeller (230).

With 25D/27D/210D:

- Remove the pump shaft (211) with the inter casings (137.1/137.2) and impellers (230/230.1).
- Remove the stage casing (110.1).

8. Disassembly of impeller and pump shaft

- Loosen the shaft nut (922) and the lock washer (931) at the drive side and, together with the impeller (230), pull them off the pump shaft (211).

Additional steps for 25D/75D/210D:

- Remove the fitting key (940.1) from the pump shaft (211).
- Pull the inter casings (137.1/137.2) jointly off the shaft sleeve (523).
- Pull the impeller (230.1) and the shaft sleeve (523) off the pump shaft.
- Pull the fitting key (940.1), the shaft nut (922) and the lock washer (931) off the pump shaft (211).

9. Disassembly of mechanical seal (SU 1/2) (→ Preparations for assembly, page 26)

- Push the stationary units of the mechanical seals (047/047.1) out of the shaft sealing casings (441).

10. Disassembly of inter casing of the suction/ discharge casing

- Loosen the hexagon socket head screw (914) in the suction/discharge casing (106/107).
- Remove the inter casing (137/137.3) from the suction/discharge casing (106/107).

Additional steps for 25D/75D/210D:

- Separate the central inter casings (137.1/137.2).
- Remove the packing gland (461) from the inter casing (137.1).

7.5.6 Disassembly of 215D/220D/220HD

① Cross-sectional drawing 215D/220D/220HD → page 54

✓ The pump has been removed from the system and is stored in a clean and level assembly area.

1. Disassembly of pipes

- Loosen the hexagon nuts (920). Remove the pipes (700) with hexagon head screws (901) and seals (400.1).

2. Disassembly of bearing housing on suction casing (drive side)
 - Remove the fitting key (940.1) from the pump shaft (211).
 - Loosen the hexagon head screws (901.3), pull the bearing housing (330) with the rolling bearing (320) off the pump shaft (211).
 - Pull off the splash ring (507).
3. Disassembly of mechanical seal (RU 1) (→ Preparations for assembly, page 26)
 - Loosen the hexagon head screws (901.2), pull the shaft sealing casing (441) and the rotating unit of the mechanical seal (047) off the pump shaft (211).
 - Pull off the spacer sleeve (525).
4. Disassembly of bearing housing on discharge casing (non-drive side)
 - Loosen the hexagon head screws (901.1). Pull the bearing cover (360.1) off the pump shaft (211).
 - Loosen the lock washer (931.1) and the shaft nut (921) and pull them off.

Additional steps:

- Pull the ring (500) off the pump shaft (211).
 - Loosen and pull off the withdrawal sleeve (531) by tightening the supplied shaft nut (921.1).
 - Loosen the screws (901.3), pull the bearing housing (330) with the rolling bearing (320.1) and the ring (500.1) off the pump shaft (211).
 - Pull off the splash ring (507).
5. Disassembly of mechanical seal (RU 1) (→ Preparations for assembly, page 26)
 - Loosen the hexagon head screws (901.2). Pull the shaft sealing casing (441) and the rotating unit of the mechanical seal (047.1) off the pump shaft (211).
 - Pull off the spacer sleeve (525).
 6. Disassembly of suction casing
 - Rotate the pump 90° (drive side pointing up).
 - Loosen the nuts (920/920.1), remove the nuts and the casing bolts (563).
 - Remove the suction casing (106).
 7. Disassembly of stage casing and pump shaft
 - Remove the stage casing (110).
 - Remove the pump shaft (211) with the impeller (230).

With 215D/220D/220HD:

- Remove the pump shaft (211) with the inter casings (137.1/137.2) and impellers (230/230.1).

- Remove the stage casing (110.1).
8. Disassembly of impeller and pump shaft
 - Loosen and remove the shaft nut (922) and the lock washer (931) at the drive side.
 - Pull the impeller (230) off the shaft.

Additional steps for 215D/220D/220HD:

- Remove the fitting key (940) from the pump shaft (211).
 - Pull the inter casings (137.1/137.2) jointly off the shaft protection sleeve (523).
 - Pull the impeller (230.1) and the shaft protection seal (523) off the pump shaft (211).
 - Pull the fitting key (940.1), the lock washer (931) and the impeller nut (922) off the pump shaft (211).
9. Disassembly of mechanical seal (SU 1/2) (→ Preparations for assembly, page 26)
 - Push the stationary units of the mechanical seal (047/047.1) out of the shaft sealing casings (441).
 10. Disassembly of inter casing of the suction/discharge casing
 - Loosen the hexagon socket head screw (900/900.1) on the suction/discharge casing (106/107).
 - Remove the inter casing (137/137.3) from the suction/discharge casing (106/107).

Additional steps for 215D/220D/220HD:

- Separate the central inter casings (137.2/137.1).

7.5.8 Disassembly of 130D/140D/160D/175D

- ① Cross-sectional drawing 130D-175D → page 59
- ① Cross-sectional drawing 225D-275D → page 61
- ✓ The pump has been removed from the system and is stored in a clean and level assembly area.

1. Disassembly of pipes (not applicable to 140D)
 - Loosen the hexagon nuts (920). Remove the pipes (700/700.1), the hexagon head screws (901) and the seals (400.1).
2. Disassembly of bearing housing on suction casing (drive side)
 - Remove the fitting key (940) from the pump shaft (211).
 - Loosen the hexagon head screws (901.2/901.4), pull the bearing housing (330) with the rolling bearing (320) off the pump shaft.

130D/225D/240D:

- Pull off the splash ring.

3. Disassembly of mechanical seal (RU 1) (→ Preparations for assembly, page 26)
 - Loosen the hexagon head screws (901.1/901.2). Pull the shaft sealing casing (441) and the rotating unit of the mechanical seal (047) off the pump shaft.
 - Pull off the spacer sleeve (525).
4. Disassembly of bearing housing on discharge casing (non-drive side)
 - Loosen the hexagon head screws (901.1). Remove the bearing cover (360.2).
 - Loosen the lock washer (931.1) and the shaft nut (921.1) on the pump shaft (211) and pull them off.
 - Pull off the ring (500.1).
 - Loosen and pull the withdrawal sleeve (531) off the pump shaft by tightening the supplied shaft nut (921).
 - Loosen the screws (901.2/901.4), pull off the bearing housing (330) with the rolling bearing (320.1) and the ring (500).

130D/225D/240D:

- Pull off the splash ring (507).
5. Disassembly of mechanical seal (RU 2) (→ Preparations for assembly, page 26)
 - Loosen the hexagon head screws (901.1/901.2), pull the shaft sealing casing (441) and the rotating unit of the mechanical seal (047.1) off the pump shaft (211).
 - Pull off the spacer sleeve (525).
 6. Disassembly of suction casing
 - Rotate the pump 90° (drive side pointing up).
 - Loosen the nuts (920/920.1), remove the nuts and the casing bolts (563).
 - Remove the suction casing (106).
 7. Disassembly of stage casing and pump shaft
 - Remove the stage casing (110)
 - Remove the pump shaft (211) with the impeller (230)

225D-275D:

- Remove the pump shaft (211) with the inter casings (137.1/137.2) and impellers (230/230.1).
 - Remove the stage casing (110.1).
8. Disassembly of impeller and pump shaft
 - Loosen and remove the impeller nut (922) and the lock washer (931) at the drive side.
 - Pull the shaft protection sleeve (524) and the impeller (230) off the pump shaft (211).

Additional steps for 225D-275D:

- Remove the fitting key (940) from the pump shaft.
 - Pull the inter casings (137.1/137.2) jointly off the shaft protection sleeve (524.1).
 - Pull the impeller (230.1) and the shaft protection sleeve (524.1) off the pump shaft.
 - Pull the fitting key (940), the lock washer (931) and the impeller nut (922) off the pump shaft (211).
9. Disassembly of mechanical seal (SU 1/2) (→ Preparations for assembly, page 26)
 - Push stationary units of the mechanical seals (047/047.1) out of the shaft sealing casings (441).
 10. Disassembly of inter casing of the suction/ discharge casing
 - Loosen the hexagon socket head screw (914) in the suction/discharge casing (106/107).
 - Remove the inter casing (137/137.1) from the suction/discharge casing (106/107).

Additional steps for 225D-275D:

- Separate the central inter casings (137.1/137.2)
 - Remove the packing gland (461) from the inter casing (137.2).
11. Disassembly of valve flaps
- Not applicable to 225D-275D
- 130D/160D/175D: inter casings (137/137.3)
- 140D: inter casing (137)
- Loosen the hexagon head screws (901.4) on the inter casing (137/137.3).
 - Remove the stop plate (598/598.1) and the flap valve (746).

7.6 Assembly

7.6.1 Preparations for assembly

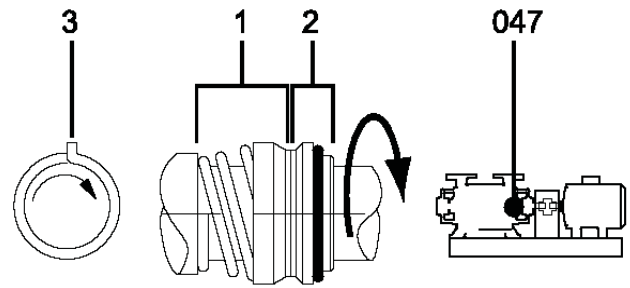
CAUTION

Improper assembly results in pump damage!

- ▶ Assemble the pump in accordance with the principal rules of mechanical engineering.
- ▶ Use original spare parts only.
- ▶ For pump assembly, consult the corresponding cross-sectional drawing.
- ▶ Assemble the pump/aggregate in a clean and level assembly area.

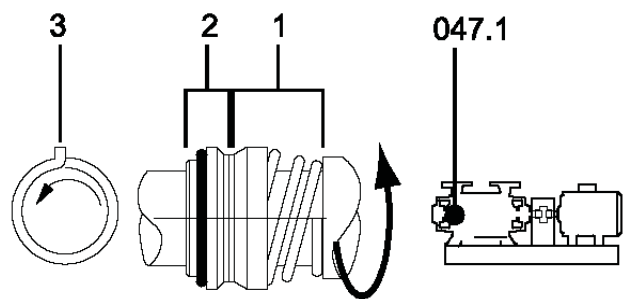
The following must be observed during assembly:

- Replace the seals.
 - Install only clean parts.
 - Install only inspected and flawless parts.
 - Apply Molykote® lubricant to all threads and fits (except for sealing fits).
 - Provide all sealing surfaces with liquid sealing compound shortly before insertion. Use, for example, Epple 33 as sealing compound.
 - Make sure not to enter foreign bodies or excessive sealing compound into the pump.
 - All marks must be aligned with each other.
 - Keep the sliding surfaces of the mechanical seal free of dirt and grease.
 - Observe the specified tightening torques (→ Tightening torques, page 42).
- ① Marks are provided on the inter casings and the suction/discharge casings.
 - ① The total air gap per stage between the front ends of the impeller and the inter casings amounts to approx. 0.33 mm. The total air gap must also be ensured when replacing parts. Inter casings and impellers must be adjusted to each other if required.
 - ① Please verify that the spring of mechanical seal 047 is always right-handed while that of mechanical seal 047.1 is left-handed (→ refer to Fig.17 and 18).



1. Rotating unit (047/RU)
2. Stationary unit (047/SU)
3. Right-handed spring, (view towards sealing ring)

Fig. 17 Mechanical seal of clockwise rotating shaft (view towards pump)



1. Rotating unit (047.1/RU)
2. Stationary unit (047.1/SU)
3. Left-handed spring, (view towards sealing ring)

Fig. 18 Mechanical seal of anti-clockwise rotating shaft (view towards motor)

7.6.3 Assembly of 25D/27D/210D

- ① Cross-sectional drawing 25D/27D/210D → page 60
1. Installation of inter casings on suction/discharge casing
 - Adjust the inter casing (137) (marks) and force it into the suction casing (106).
 - Adjust the inter casing (137.3) (marks) and force it into the discharge casing (107).
 - Screw hexagon socket head screws (914) through the suction/discharge casing into the inter casings (137/137.3) and fasten them.
 - Insert the packing gland (461) into the inter casing (137.1)
 - Adjust the inter casings (137.1/137.2) (mark), force them into position and compress them.
2. Installation of impeller and pump shaft
 - Push the lock washer (931) onto the non-drive side of the pump shaft.

- Screw the impeller nut (922) onto the pump shaft (211).
 - Insert the fitting key (940.1) into the pump shaft.
 - Vertically clamp the pump shaft (211) with the drive side pointing up.
 - Push the impeller (230.1) onto the pump shaft (211).
- ① The impeller blades must be tilted in the direction of rotation.
- Push the shaft sleeve (523) onto the pump shaft (211).
 - Push the inter casings (137.1/137.2) jointly over the shaft sleeve (523).
 - Insert the fitting key (940.1) into the pump shaft.
 - Push the impeller (230) onto the pump shaft.
- ① The impeller blades must be tilted in the direction of rotation.
- Slide the lock washer (931) onto the pump shaft.
 - Screw the impeller nut (922) onto the pump shaft (211).
 - Set the impellers in accordance with adjustment dimension L by turning the impeller nuts.
 - Following the setting procedure, secure the impeller nuts (922) using lock washers (931).
3. Installation of stage casing and pump shaft
- Horizontally clamp the discharge casing (107) (inter casing on top).
 - Adjust the stage casing (110.1) (marks) and force it into the inter casing (137.3).
 - Insert the complete pump shaft (211, drive side pointing up) into the discharge casing (107).
 - Adjust the inter casings (marks), put them down on the stage casing (110.1).
 - Force the stage casing (110) into the inter casing (137.1).
4. Installation of suction casing
- Adjust the suction casing (106) (marks) and force it onto the stage casing (110).
 - Secure the casing bolts (563). Slightly fasten them with the hexagon nuts (920.1).
5. Installation of mechanical seal (drive side)
- Moisten the auxiliary seal of the rotating unit (047) with lubricant (grease containing PTFE).
 - Push the rotating unit (047) onto the pump shaft (211) by a screwing movement in the sense of winding of the spring.
 - Moisten the auxiliary seal of the stationary unit with lubricant (alcohol, water).
- Manually press the stationary unit (047) into the shaft sealing casing (411).
 - Adjust the shaft sealing casing (441) (observe the flushing channel), force it into the suction casing (106) and fasten it to the suction casing (106) by means of hexagon head screws (901.1).
6. Installation of bearing housing on suction casing (drive side)
- Force the bearing cover (360.2) into the bearing housing (330) and adjust it, fasten it with hexagon head screws (901.1).
 - Push the bearing housing (330) over the pump shaft (211), force it into the suction casing (106) and fasten it with hexagon head screws (901.1).
 - Press the rolling bearing (320) onto the pump shaft (211).
 - Force the bearing cover (360) into the bearing housing (330), adjust it and fasten it with hexagon head screws (901.2).
 - Insert the fitting key (940) into the pump shaft.
7. Installation of mechanical seal (non-drive side)
- Rotate the pump 180° (drive side pointing down).
 - Moisten the auxiliary seal of the rotating unit (047.1) with lubricant (grease containing PTFE).
 - Push the rotating unit (047.1) onto the pump shaft (211) by a screwing movement in the sense of winding of the spring.
 - Moisten the auxiliary seal of the stationary unit with lubricant (alcohol, water).
 - Manually push the stationary unit (047.1) into the shaft sealing casing (411).
 - Adjust the shaft sealing casing (441) (observe the flushing channel), force it into the discharge casing (107) and fasten it to the discharge casing (106) with hexagon head screws (901.1).
8. Installation of bearing housing on discharge casing (non-drive side)
- Force the bearing cover (360.2) into the bearing housing (330) and adjust it, fasten it with hexagon head screws (901.1).
 - Force the bearing housing (330) into the discharge casing (107) and fasten it with hexagon head screws (901.1).
 - Press the rolling bearing (320) onto the pump shaft (211).
 - Push the lock washer (931.1) onto the pump shaft.
 - Screw the shaft nut (921) onto the pump shaft, fasten and secure with lock washer (931.1).

- Force the bearing cover (360.1) into the bearing housing (330), adjust it and slightly fasten it with hexagon head screws (901.1).

9. Pump adjustment

- Rotate the pump 90° (horizontal position).
- Adjust the pump on level ground.
- Tighten the casing bolts (563) and hexagon nuts (920.1) crosswise.

10. Setting impeller position (non-drive side)

- Loosen the hexagon head screws (901.1) on the bearing cover (360.2).
- Fasten the hexagon head screws (901.1) on the bearing cover (360.1) until the impeller is in contact with the inter casing (suction casing).
- Start the gauge at the front (drive side) of the pump shaft.
- Loosen the hexagon head screws (901.1) on the bearing cover (360.1).
- Fasten the hexagon head screws (901.1) on the bearing cover (360.2) until the impeller is in contact with the inter casing (discharge casing).
- Halve the determined measure X and adjust the pump shaft/impeller by half the measure X (towards drive side).
- Fasten the pump shaft/impeller in this position by evenly tightening the hexagon head screws (901.1) on the bearing covers (360.1/360.2).
- Verify unobstructed movement of the pump. Manually rotate the pump shaft.

11. Pipe installation

Not applicable to 25D

- Put the seals (400) and pipes (700) onto the suction/the discharge flange, fasten with hexagon head screws (901) and hexagon nuts (920).

7.6.6 Assembly of 130D-175D, 225D-275D

① Cross-sectional drawing 130D-175D → page 59

① Cross-sectional drawing 225D-275D → page 61

1. Installation of valve flaps

Not applicable to 225D/240D/250D/275D

130D/160D/175D: inter casings (137/137.3)

140D: inter casing (137.3)

- Put the stop plate (598/598.1) and the flap valve (746) onto the inter casings (137/137.1).
- Screw the hexagon head screws (901.5) with screw locking (Loctite®) into the inter casings.

2. Installation of inter casings on suction/discharge casing

- Adjust the inter casing (137) (marks) and force it into the suction casing (106).
- Adjust the inter casing (137.3) (marks) and force it into the discharge casing (107).
- Screw hexagon socket head screws (914) through the suction/discharge casing into the inter casings and fasten them.

Additional steps for 250D/275D:

- Adjust the inter casings (137.1/137.2) (mark), force them into position and compress them.

Additional steps for 225D/240D:

- Insert the packing gland (461) into the inter casing (137.2).
- Adjust the inter casings (137.1/137.2) (mark), force them into position and compress them.

3. Installation of impeller and pump shaft

- Insert fitting keys (940/940.1) into the pump shaft (211) (non-drive side).
- Insert an O-ring (412) into the groove of the shaft protection sleeve (524).
- Push the shaft protection sleeve (524) and the lock washer (931) onto the pump shaft.
- Screw the impeller nut (922) onto the pump shaft.
- Vertically clamp the pump shaft with the drive side pointing up.

130D/140D/160D/175D:

- Push the impeller (230) onto the pump shaft.

① The impeller blades must be tilted in the direction of rotation.

225D-275D:

- Push the impeller (230.1) onto the pump shaft.

① The impeller blades must be tilted in the direction of rotation.

- Insert O-rings (412) into the grooves of the shaft protection sleeve (524.1).

- Push the shaft protection sleeve (524.1) onto the pump shaft.

- Push the inter casings (137.1/137.2) jointly over the shaft protection sleeve (523).

- Insert the fitting key (940) into the pump shaft.

- Push the impeller (230) onto the pump shaft.

① The impeller blades must be tilted in the direction of rotation.

- Insert the fitting key (940.1) into the pump shaft.

- Insert an O-ring (412) into the groove of the shaft protection sleeve (524).
- Push the shaft protection sleeve and the lock washer (931) onto the pump shaft.
- Screw the impeller nut (922) onto the pump shaft.
- Set the impellers in accordance with adjustment dimension L by turning the impeller nuts.
- Following the setting process, fasten the impeller nuts and secure them with the lock washers.

4. Installation of stage casing and pump shaft

- Horizontally clamp the discharge casing (107) (inter casing on top).

130D-175D:

- Insert the complete pump shaft (drive side pointing up) into the discharge casing (107), put down on inter casing (137.3).
- Force the stage casing (110) into the inter casing (137.3).

225D-275D:

- Force the stage casing (110.1) into the inter casing (137.3).
- Insert the complete pump shaft (drive side pointing up) into the discharge casing (107).
- Adjust the inter casings (137.2/137.1) (markings), force them onto the stage casing (110.1) and put them down.
- Force the stage casing (110) into the inter casing (137.1).

5. Installation of suction casing

- Adjust the suction casing (106) (marks) and force it onto the stage casing (110).
- Secure the casing bolts (563). Slightly fasten them with hexagon nuts (920.1).

6. Assembly of mechanical seal (drive side)

- Push the spacer sleeve (525) onto the shaft protection sleeve (524).
- Moisten the auxiliary seal of the rotating unit (047) with lubricant (grease containing PTFE).
- Push the rotating unit (047) onto the shaft protection sleeve (524) by a screwing movement in the sense of winding of the spring.
- Moisten the auxiliary seal of the stationary unit with lubricant (alcohol, water).
- Push the stationary unit (047) into the shaft sealing casing (411).
- Adjust the shaft sealing casing (441) (observe the flushing channel), force it into the suction casing (106) and fasten it with hexagon head screws (901.1).

225D/240D:

- Push the splash ring (507) onto the pump shaft.

7. Assembly of bearing housing on suction casing (drive side)

- Force the bearing cover (360.2) into the bearing housing (330), adjust and fasten it to the bearing housing by means of hexagon head screws (901.1).
- Push the bearing housing over the pump shaft (211), force it into the suction casing (106) and fasten it with hexagon head screws (901.4).
- Lubricate the rolling bearing (320) and press it onto the pump shaft.
- Force the bearing cover (360) into the bearing housing, adjust it and fasten it with hexagon head screws (901.1).
- Insert the fitting key (940) into the pump shaft.

8. Assembly of mechanical seal (non-drive side)

- Rotate the pump 180° (drive side pointing down).
- Push the spacer sleeve (525) onto the shaft protection sleeve (524).
- Moisten the auxiliary seal of the rotating unit (047.1) with lubricant (grease containing PTFE).
- Push the rotating unit (047.1) onto the shaft protection sleeve (524) by a screwing movement in the sense of winding of the spring.
- Moisten the auxiliary seal of the stationary unit with lubricant (alcohol, water).
- Push the stationary unit (047.1) into the shaft sealing casing (411).
- Adjust the shaft sealing casing (observe the flushing channel), force it into the discharge casing (107) and fasten it with hexagon head screws (901.1).

225D/240D:

- Push the splash ring (507) onto the pump shaft.

9. Assembly of bearing housing on discharge casing (non-drive side)

- Force the bearing cover (360.2) into the bearing housing (330), adjust it and fasten it with hexagon head screws (901.1).
- Force the bearing housing into the discharge casing (107) and fasten it with hexagon head screws (901.4).
- Push the ring (500) onto the pump shaft.
- Lubricate the rolling bearing (320.1) and press-fit into the bearing housing.

- Push the withdrawal sleeve (531), the ring (500.1) and the lock washer (931.1) onto the pump shaft.
- Screw the shaft nut (921.1) into position, provide for an appropriate bearing clearance and secure the shaft nut with a lock washer (931.1).
- Force the bearing cover (360.2) into the bearing housing, adjust it and slightly fasten it with hexagon head screws (901.3).

10. Pump adjustment

- Position the pump horizontally and adjust it on level ground.
- Tighten the casing bolts (563) and hexagon nuts (920.1) crosswise.

11. Setting impeller position (non-drive side)

- Loosen the hexagon head screws (901.3) on the bearing cover (360.3).
- Fasten the hexagon head screws (901.3) on the bearing cover (360.2) until the impeller is in contact with the inter casing (suction casing).
- Start the gauge at the front (drive side) of the pump shaft.
- Loosen the hexagon head screws (901.3) on the bearing cover (360.2).
- Fasten the hexagon head screws (901.3) on the bearing cover (360.1) until the impeller is in contact with the inter casing (discharge casing).
- Halve the determined measure X and adjust the pump shaft/impeller by half the measure X (towards drive side).
- Fasten the pump shaft/impeller in this position by evenly tightening the hexagon head screws (901.3) on the bearing covers (360.1/360.2).
- Verify unobstructed movement of the pump. Manually rotate the pump shaft.

12. Pipe assembly

Not applicable to 140D

- Put the seals (400) and pipes (700) onto the suction/discharge flanges; fasten them with hexagon head screws (901) and hexagon nuts (920).

⚠ DANGER**Risk of injuries caused by running aggregate!**

- ▶ Do not touch the running aggregate.
- ▶ Do not carry out any works on the running aggregate.
- ▶ Prior to carrying out any assembly or maintenance works, de-energize the motor and protect it against restart.

⚠ DANGER**Risk of death from electric shock!**

- ▶ Any electrical works must be carried out by qualified electricians only.
- ▶ Observe the IEC 30364 (DIN VDE 0100) and for potentially explosive areas the IEC 60079 (DIN VDE 0165) standard.

⚠ WARNING**Risk of injuries caused by vacuum and harmful media to be pumped and operating liquid!**

- ▶ Use protective equipment when carrying out any works on the pump/aggregate.
- ▶ Make sure the pump/aggregate is depressurized.
- ▶ Drain the pump. Reliably collect operating liquid and media to be pumped and dispose of in an environmentally-compatible way.

If the machine operator is not able to rectify occurring defects himself, he has to call the person responsible for machine maintenance.

If the maintenance staff is not able to rectify the defect, the manufacturer has to be informed accordingly. The manufacturer will provide troubleshooting support if he gets a detailed description of the defect.

Defect	Cause	Rectification
Motor does not start	Motor	▶
	One phase of the power supply is interrupted	▶ Check the power supply, check the motor
	Two phases of the power supply are interrupted	▶ Check the power supply, check the motor
	The motor protection switch has tripped	▶ Switch on the motor protection switch
	The motor is blocked	▶ Check the motor
	Pump is blocked	
	Impeller/inter casing is subject to corrosion	▶ Use rust remover to overcome the blockage of the pump
	Ice inside the pump (solidified operating liquid)	▶ Carefully heat up and defrost the pump
	Contaminations or foreign bodies inside the pump	▶ Flush/disassemble the pump, clean it
	Pump calcification	▶ Descale the pump
	Blocked/defective impeller	▶ Provide for a correct gap size of the inter casing/impeller or replace
	Defective motor bearing	▶ Replace the motor bearing

Defect	Cause	Rectification
Motor protection triggered	Short-circuit in the motor winding	▶ Check the motor winding
	Motor protection switch has not been correctly set/is defective	▶ Check setting/replace the motor protection switch
	Motor overload	▶ Check/reduce the operating liquid flow rate
	Excessive backpressure in the outlet nozzle	▶ Reduce backpressure
	Excessive share of liquid in the suction flow	▶ Reduce the share of liquid
	Blocked suction-side fitting	▶ Open the suction-side fitting
	Motor or vacuum pump blocked	▶ Motor does not start
Excessive power consumption of the motor	Motor overload	▶ Check/reduce the operating liquid flow rate
	Excessive backpressure in the outlet nozzle	▶ Reduce backpressure
	Excessive share of liquid in the suction flow	▶ Reduce the share of liquid
	Blocked suction-side fitting	▶ Open the suction-side fitting
	Density/viscosity of the operating liquid is too high	▶ Use an operating liquid complying with the density recommended in the data sheet. Contact the manufacturer
	Impeller rubs against the inter casing	▶ Disassemble the pump, properly set the inter casing/impeller gap size
	Pump contamination/calcification	▶ Flush/descale/disassemble the pump, clean it
Pump does not produce vacuum	Lacking operating liquid	▶ Check the operating liquid supply
	Leak in the suction pipe	▶ Check/seal the suction pipe and connections
	Wrong direction of rotation of the motor	▶ Check direction of rotation/swap the 2 phases if need be
	Insufficient vacuum	▶ Check the system, seal leaking spots
Insufficient vacuum	Excessive operating liquid flow rate	▶ Reduce operating liquid flow rate
	Insufficient operating liquid flow rate	▶ Increase operating liquid flow rate
	Operating liquid too hot	▶ Cool down the operating liquid
	Leak in the suction pipe	▶ Check/seal the suction pipe and connections
	Wrong direction of rotation of the motor	▶ Check direction of rotation/swap the 2 phases if need be
	Motor speed too low	▶ Increase speed, contact the manufacturer
	Gas or liquid channels subject to calcification	▶ Descale/disassemble the pump, clean it
	Internal components are subject to wear	▶ Replace the affected components
	Worn-out control valve	▶ Replace the control valve
	Worn-out shaft sealing	▶ Replace the shaft sealing
	Amount of drained liquid too small	▶ Provide for free drainage of the liquid and ensure that the connections are not obstructed
Pump has not been correctly dimensioned	▶ Replace the pump	

Defect	Cause	Rectification
Strange noise	Pump cavitation	▶ Install an anti-cavitation valve or ▶ Equip the suction pipe with a ventilation valve
	Excessive share of steam in the suction flow	▶ Reduce the share of steam or provide for condensation upstream the vacuum pump
	Suction-side fitting closed (excessive inlet pressure)	▶ Open the suction-side fitting or provide for cavitation protection
	Excessive operating liquid flow rate	▶ Reduce operating liquid flow rate
	Excessive speed	▶ Reduce speed, contact the manufacturer
Leaking pump	Defective shaft sealing	▶ Replace the shaft sealing
	Defective casing sealing	▶ Provide the vacuum pump with new sealing
	Worn-out casing components	▶ Replace the affected components
	Loosened connecting screws/screw plugs	▶ Tighten the screws, replace the sealing
Pump does not run smooth	Excessive operating liquid flow rate	▶ Reduce operating liquid flow rate
	Overload in the pipe system	▶ Check the pipe connections/pump fixation/bearing clearance of the pipe clamps
	Air pocket in the pipe	▶ Change the pipe system layout
	Pump distorted/improperly adjusted	▶ Check adjustment/re-adjust
	Resonance vibrations in the pipe system	▶ Check the pipe connections and, if required, use a compensator
	Imbalanced impeller	▶ Balance/replace impeller
	Deposits on the impeller	▶ Clean/replace impeller
	Defective pump or motor bearing	▶ Replace pump or motor bearing

Tab. 11 Troubleshooting

9 Technical data

9.1 Operating limit values

- Inlet pressure
- Compression pressure
- Pressure difference
- Medium to be pumped
- Operating liquid
- Speed
- Switching frequency

130D					
			Operating liquid		
			Temperature		(°F)
				Max.	176
			Density		[kg/m ³]
			Max.	1200	
Medium to be pumped			Viscosity	[mm ² /s]	
Temperature		(°F)		Max.	90
	Dry	392	Speed		RPM
	Saturated	212		Max.	1750

Tab. 14 Operating limit values

140D/160D/175D					
			Operating liquid		
			Temperature		(°F)
				Max.	176
			Density		[kg/m ³]
			Max.	1200	
Medium to be pumped			Viscosity	[mm ² /s]	
Temperature		(°F)		Max.	90
	Dry	392	Speed		RPM
	Saturated	212		Max.	1750

Tab. 16 Operating limit values 140D/160D/175D

25D/27D/210D					
			Operating liquid		
			Temperature		(°F)
				Max.	212
			Density		[kg/m ³]
			Max.	1200	
Medium to be pumped			Viscosity	[mm ² /s]	
Temperature		(°F)		Max.	90
	Dry	392	Speed		RPM
	Saturated	212		Max.	1750

Tab. 18 Operating limit values 25D/27D/210D

215D/220D/220HD/225D/240D					
			Operating liquid		
			Temperature		(°F)
				Max.	176
			Density		[kg/m ³]
			Max.	1200	
Medium to be pumped			Viscosity	[mm ² /s]	
Temperature		(°F)		Max.	90
	Dry	392	Speed		RPM
	Saturated	212		Max.	1750

Tab. 19 Operating limit values 215D/220D/220HD/225D/240D

250D/275D					
			Operating liquid		
			Temperature		(°F)
				Max.	176
			Density		[kg/m ³]
			Max.	1200	
Medium to be pumped			Viscosity	[mm ² /s]	
Temperature		(°F)		Max.	90
	Dry	392	Speed		RPM
	Saturated	212		Max.	1200

Tab. 20 Operating limit values 250D/275D

9.1.1 Media to be pumped

- Dry and wet gases which are not explosive, inflammable, aggressive or toxic
- Air or air-steam mixtures
 - which are free of solids
 - which contain small amounts of light particulate matters

9.1.2 Switching frequency

The max. switching frequency of 20 switching cycles per hour should not be exceeded.

9.2 General technical data

The following data refer to standard values. For deviating data, please consult the manufacturer.

9.2.1 Weight

MODEL	WEIGHT (lb.)	MODEL	WEIGHT (lb.)
25D	137	240D	529
27D	170	250D	992
210D	190	275D	1411
215D	307	130D	474
220D	333	140D	794
220HD	360	160D	1036
225D	474	175D	1147

Tab. 21 Weight

9.2.2 Sound level

MODEL	SOUND LEVEL (dB)	MODEL	SOUND LEVEL (dB)
25D	66	240D	79
27D	66	250D	80
210D	66	275D	80
215D	66	130D	79
220D	66	140D	80
220HD	66	160D	80
225D	79	175D	80

* Measured surface sound pressure level in acc. with DIN EN ISO 3744, at 1 m distance with average throttling (80 mbar abs.) and connected pipes, tolerance ± 3 dB (A)

Tab. 22 Sound pressure level

9.2.3 Drive power

The following data apply to operating liquids with a kinematic viscosity of $\nu \leq 4$ mm²/sec.

For operating liquids featuring a higher kinematic viscosity, the drive power has to be adjusted.

MODEL	MOTOR HP 60 Hz	MOTOR RPM 60 Hz	MOTOR KW 50 Hz	MOTOR RPM 50 Hz
25D	5	1750	3	1450
27D	7.5	1750	4	1450
210D	10	1750	5.5	1450
215D	15	1750	7.5	1450
220D	20	1750	11	1450
MODEL	MOTOR HP 60 Hz	MOTOR RPM 60 Hz	MOTOR KW 50 Hz	MOTOR RPM 50 Hz
220HD	20	1750	15	1450
225D	25	1750	15	1450
240D	40	1750	18.5	1450
250D	50	1175	30	975
275D	75	1175	45	975
130D	30	1750	18.5	1450
140D	40	1175	22	975
160D	60	1175	30	975
175D	75	1175	45	975

Tab. 23 Drive power

9.2.4 Operating liquid

9.2.4.1 Water

CAUTION

Risk of material damage caused by corrosion and deposits in the pump due to poor water quality!

► If possible, use operating water featuring the following quality.

① The following recommendations apply to operating water temperatures < 122 °F.

Hydrological data	Max.	Unit of measure
pH value	7.0 - 9.0	-
Conductivity	10...150	mS/m (t=25°C)
Total hardness	< 15	°dH
Carbonate hardness	< 4	°dH
Carbonate hardness with hardness stabilization	< 15	°dH
Chloride Cl	< 100	mg/l
Sulphate SO ₄	< 150	mg/l
Ammonium NH ₄	< 1	mg/l
Iron Fe	< 0.2	mg/l
Manganese Mn / copper Cu	< 0.1	mg/l
Free of solids / rust	< 0.1	mg/l

Tab. 25 Hydrological data for operating water

► For higher temperatures, the hardness, conductivity and chloride values must be reduced.

CAUTION

Risk of material damage caused by deposits from the over-all cycle, which may enter the pump!

- Use non-corrosive materials in the overall cycle.
- Ensure that deposits from the overall cycle cannot enter the pump.

The manufacturer does not accept liability for corrosion damage to pump parts.

The manufacturer recommends seeking the advice of a company specialised in water treatment and water maintenance (e.g. www.schweitzer-chemie.de) to provide adequate corrosion protection.

9.2.4.2 Other operating liquids

When using operating liquids other than water, please contact the manufacturer.

9.2.4.3 Delivery of liquids

- Maximum permissible delivery of water via the inlet nozzle

9.2.4.4 Flow rate, liquid delivery, filling volume

Type	Flow rate [GPM] 80 mbar/59°F	Max. liquid delivery [m ³ /h]	Filling volume up to middle of the shaft [gal]
130D	15.3	3.5	3.7
140D	16.4	3.7	8.5
160D	26.4	6.0	9.3
175D	28.3	6.4	10
25D	4.0	0.9	1.1
27D	4.0	0.9	1.5
210D	4.4	1.0	1.9
215D	12.1	3.0	2.4
220D	13.2	3.0	2.7
220HD	13.2	3.0	3.2
225D	11.9	2.7	4.3
240D	30.9	7	9.5
250D	30.9	7	9.5
275D	30.9	7	14.3

Tab. 26 Flow rate, liquid delivery, filling volumes

9.2.5 Medium to be pumped

- Dry or wet gases and vapors which are not explosive, inflammable, aggressive or toxic
- Air or air-steam mixtures
 - which are free of solids
 - which contain small amounts of light particulate matters

For explosive, inflammable, aggressive or toxic gases and vapors, please consult the manufacturer.

9.2.6 Operating connections

MODEL	SEAL WATER CONNECTION	INLET CONNECTION	DISCHARGE CONNECTION	FLANGE TYPE
25D	1/2"	1 1/2"	1 1/2"	DN 40
27D	1/2"	1 1/2"	1 1/2"	DN 40
210D	1/2"	1 1/2"	1 1/2"	DN 40
215D	1"	2"	2"	DN 50
220D	1"	2"	2"	DN 50
220HD	1"	2"	2"	DN 50
225D	1"	2 1/2"	2 1/2"	DN 65
240D	1"	2 1/2"	2 1/2"	DN 65
250D	2"	4"	4"	DN 100
275D	2"	4"	4"	DN 100
130D	1"	4"	4"	DN 100
140D	2"	4"	4"	DN 100
160D	2"	5"	5"	DN 100
175D	2"	5"	5"	DN 100

Note: Pumps fitted with DN flanges. NPT connections via adapter flanges.

Tab. 27 Operating connections

9.2.7 Mechanical seal

All pumps offer mechanical seals with integrated flush. Typical features are:

- single seal
- unbalanced
- conical spring
- dependent on the direction of rotation

Special versions

- double-acting mechanical seals
- cartridge units
- packing glands

9.2.8 Ambient conditions

① Operation under other ambient conditions has to be agreed with the manufacturer.

Temperature [°F]	Relative Humidity [%]		Set-up altitude above sea level [FT]
	long-term	short-term	
41 to 104	≤ 85	≤ 100	≤ 3280

Tab. 28 Ambient conditions

9.2.9 Clearances for heat dissipation

Type	Min. clearance fan hood - adjacent surface
130D / 140D	2"
25D to 240D	2"
160D	3"
250D	3"
175D / 275D	4"

Tab. 29 Clearances for heat dissipation

9.2.10 Tightening torques

9.2.10.1 Screws and nuts

- ▶ Tighten the screws by means of a torque wrench.
- ① The following values apply to new screws and nuts.

Size	Property class	Tightening torque [Nm]
M 5	8.8	5.7
M 6	8.8	9.9
M 8	8.8	25
M 10	8.8	51
M 12	8.8	89
M16	8.8	215
M 20	8.8	420

Tab. 30 Tightening torques for screws and nuts

9.2.10.2 Screws in cast-iron casings

- ① The following values apply to new screw plugs (steel, brass) in cast-iron casings (EN-GJL-250, CuZn).

Size	Property class	Tightening torque [Nm]
M 5	8.8	4.0
M 6	8.8	8.5
M 8	8.8	12
M 10	8.8	25
M 12	8.8	40
M 16	8.8	90

Tab. 31 Tightening torques for screws in cast-iron casings

9.2.10.3 Stainless steel screws in stainless steel casings

- Tighten the screws by means of a torque wrench.
① The following values apply to new stainless steel screws.

Size	Property class	Tightening torque [Nm]
M 5	A2/A4	4.2
M 6	A2/A4	7.3
M 8	A2/A4	17.5
M 10	A2/A4	35
M 12	A2/A4	60
M16	A2/A4	144
M 20	A2/A4	281

Tab. 32 Tightening torques for stainless steel screws in stainless steel casings

9.2.10.4 Screw plugs

- Tighten the screws by means of a torque wrench.
① The following values apply to new screw plugs (steel, brass) in cast-iron casings (EN-GJL-250, CuZn).

Size	Tightening torque [Nm]
G 1/8 A	9
G 1/4 A	20
G 3/8 A	40
G 1/2 A	53
G 3/4 A	93
G 1 A	133

Tab. 33 Tightening torques for screw plugs in cast-iron casings

- Tighten the screws by means of a torque wrench.

- ① The following values apply to new stainless steel screw plugs

Size	Tightening torque [Nm]
G 1/8 A	12
G 1/4 A	23
G 3/8 A	46
G 1/2 A	60
G 3/4 A	120
G 1 A	200

Tab. 34 Tightening torques for stainless steel screw plugs

9.2.10.5 Cylindrical pipe nipples

- ① The following values apply to new pipe nipples in cast-iron casings (EN-GJL-250, CuZn).

Size	Tightening torque [Nm]
G 1/8 A	12
G 1/4 A	23
G 3/8 A	46
G 1/2 A	60
G 3/4 A	120
G 1 A	206
G 1 1/2 A	380
G 2	535

Tab. 35 Tightening torques for pipe nipples

9.2.10.6 Impeller nuts

(→ Cross-sectional drawing, Item 922)

Type	Dimensions	Tightening torque [Nm]
25D/27D/210D	M 40x1.5	110
215D/220D	M 45x1.5	170
130D/225D/240D	M 54x1.5	290
140D/160D/175D/250D/275D	M 78x2	600

Tab. 36 Tightening torques for impeller nut

9.2.10.7 Shaft nut for fixed bearings

(→ Cross-sectional drawing, Item 921)

Type	Dimensions	Tightening torque [Nm]
25D/27D/210D	M 30x1.5	31
215D/220D	M 40x1.5	75
130D/225D/240D	M 45x1.5	108
140D/160D/175D/ 250D/275D	M 60x2	260

Tab. 37 Tightening torques for shaft nuts stabilizing fixed bearings

9.2.10.8 Casing bolts

(→ Cross-sectional drawing, Item 563)

Casing bolt size	Tightening torque [Nm]
M 6	8.5
M 8	12
M 10	25
M 12	40
M 16	90
M 20	120
M 24	140

Tab. 38 Tightening torques for casing bolts

9.3 Conical pipe fittings

The above specified tightening torques do not apply to conical screw-in threads. Here, tightness is not achieved by using a specific tightening torque but by additional sealing material (e.g. sealing tape, adhesive).

9.4 Permissible forces / torques acting on the pump nozzles

Nominal width	Pump nozzle	
	Mx, My, Mz [Nm]	Fx, Fy, Fz [N]
DN 6	20	65
DN 8	27	88
DN 10	35	110
DN 15	44	140
DN 20	55	177
DN 25	70	222
DN 40	100	320
DN 50	140	430
DN 65	170	510
DN 80	200	600
DN 100	255	770

Tab. 39 Permissible forces/torques acting on the pump nozzles

9.4.1 Adjustment dimensions

9.4.1.2 Impeller gap

The total gap size is approx. 0.33 mm per stage.

9.4.1.3 Impeller position

Type	Adjustment dimension [l]
25D-210D	226.0
215D-220HD	328.5
225D/240D	363.5
250D/275D	507/0
130D	364.0
140D-175D	517.5

Tab. 41 Impeller position

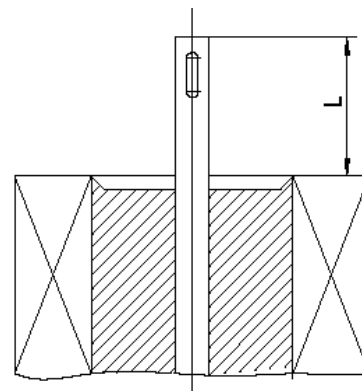


Fig. 19 Impeller position

9.4.1.4 Shaft bearing clearance

Pump types 25D-220HD are equipped with sealed deep groove ball bearings. These bearings are maintenance-free and need not be adjusted.

Other modules are equipped with spherical roller bearings. Versions with cylindrical bores need not be adjusted. Spherical roller bearings are not maintenance-free and must therefore be re-lubricated.

Spherical roller bearings with conical bore and C3 clearance

Type	Axial shift with-drawal sleeve		Smallest permissible clearance
	Min.	Max.	
130D, 225D/240D	0.4	0.45	0.030
140D, 160D/175D, 250D, 275D	0.45	0.6	0.040

Tab. 42 Shaft bearing clearance

9.5 Lubricants

Lubrication grease:

High-temperature grease containing a polyurea-based thickener by Fuchs (Renolit PU-FH 300).

Pump Type	Amount of lubricant per bearing [g]
130D, 225D/240D	8
140D, 160D/175D, 250D, 275D	15

Tab. 43 Lubricants

9.6 Preserving agents

- ① Rivolta preserving agent (recommended) or comparable products

Type of storage	Period of storage [months]	Inside/ Outside preservation	Repeat inside/ outside treatment [months]
in closed, dry and dust-free rooms	1-3	Rivolta K.S.P. 130	3
	> 3		(→ Applicable documents)

Tab. 44 Preserving agents

9.6.1 Preservation filling volumes

Type	Filling volume inside system [l]	Filling volume outside system [gal]
130D	13.5	7.7
140D	31.0	17.2
160D	34.0	19
175D	36.5	20.6

Tab. 45 Preservation filling volumes (single stage)

Type	Filling volume inside system [l]	Filling volume outside system [gal]
25D	3.8	2.1
27D	5.2	2.9
210D	6.7	3.7
215D	8	4.6
220D	9	4.9
220HD	11	6.3
225D	13	7.7
240D	17	9.8
250D	30	17.2
275D	48	26.7

Tab. 46 Preservation filling volumes (2-stage)

9.7 Test pressure for pressure test

Use water for the pressure test. The maximum permissible pressure is 44 PSI.

9.8 Accessories

Accessories included in the scope of supply are listed on the delivery note.

10 Appendix

10.5 Dimension drawing 130D

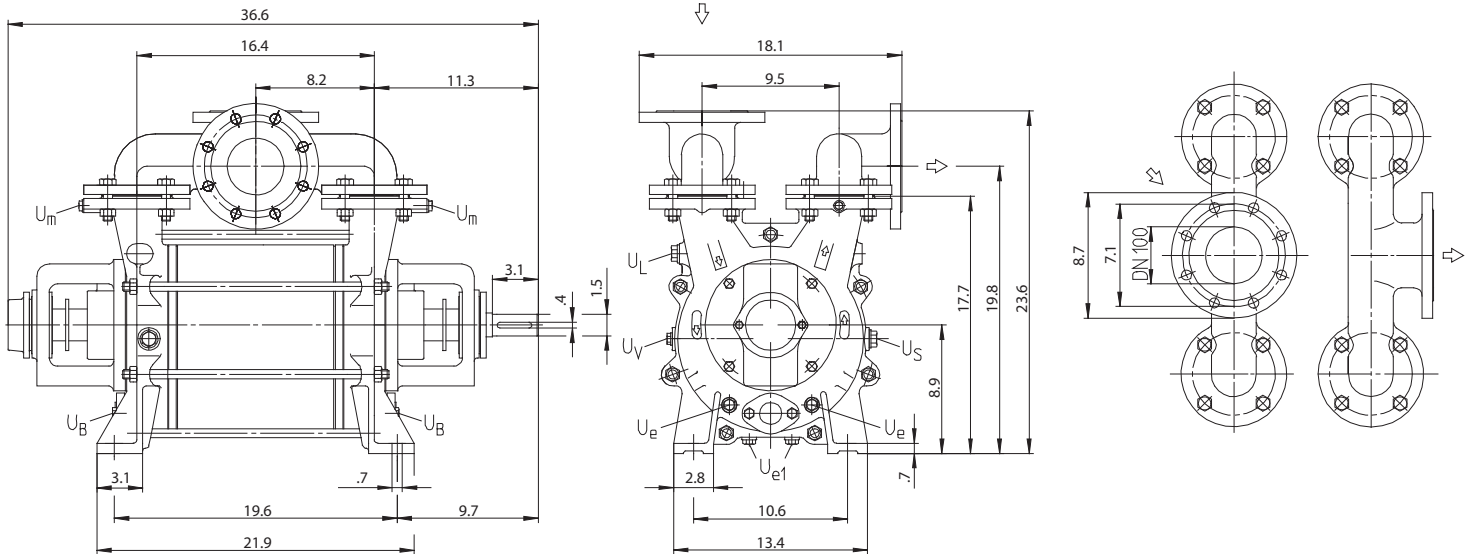


Fig. 30 Dimension drawing 130D

Designation	Explanation
U _B	Operating liquid connection (1")
U _e /U _{e1}	Drainage (screw plug)
U _L	Ventilation valve connection
U _m	Manometer connection
U _s	Sensor connection
U _v	Drainage valve connection

Tab. 51 Connections 130D

10.6 Dimension drawing 140D/160D/175D

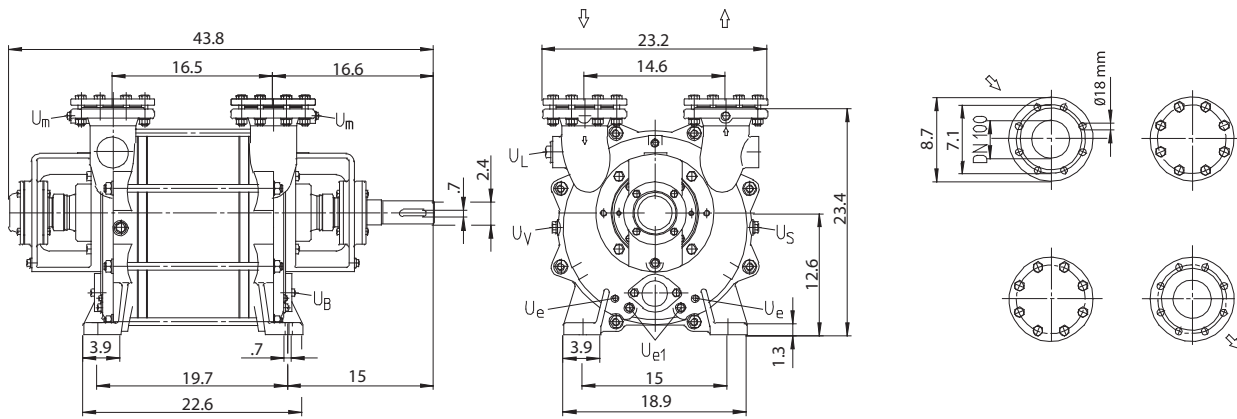


Fig. 31 Dimension drawing 140D

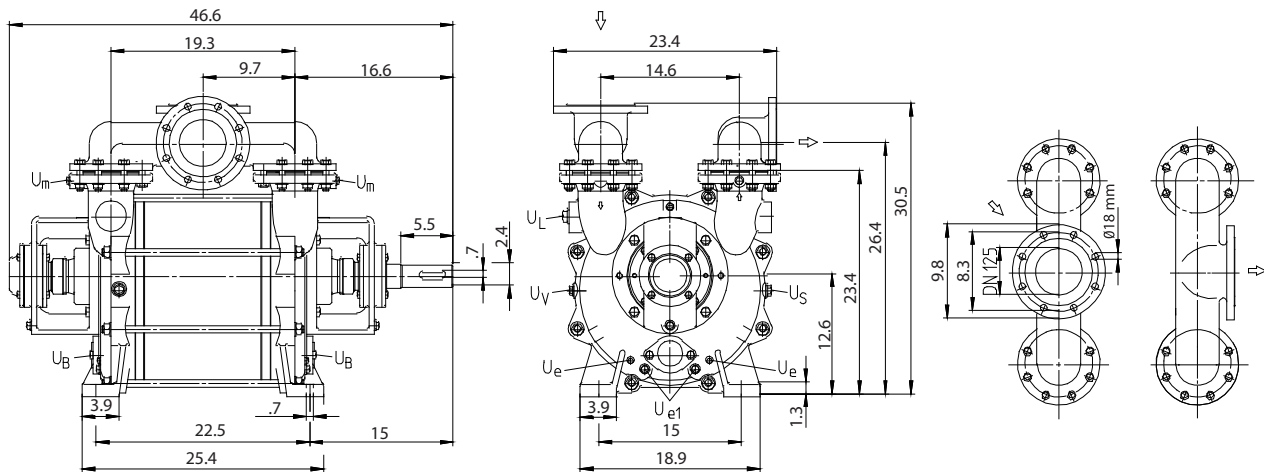


Fig. 32 Dimension drawing 160D

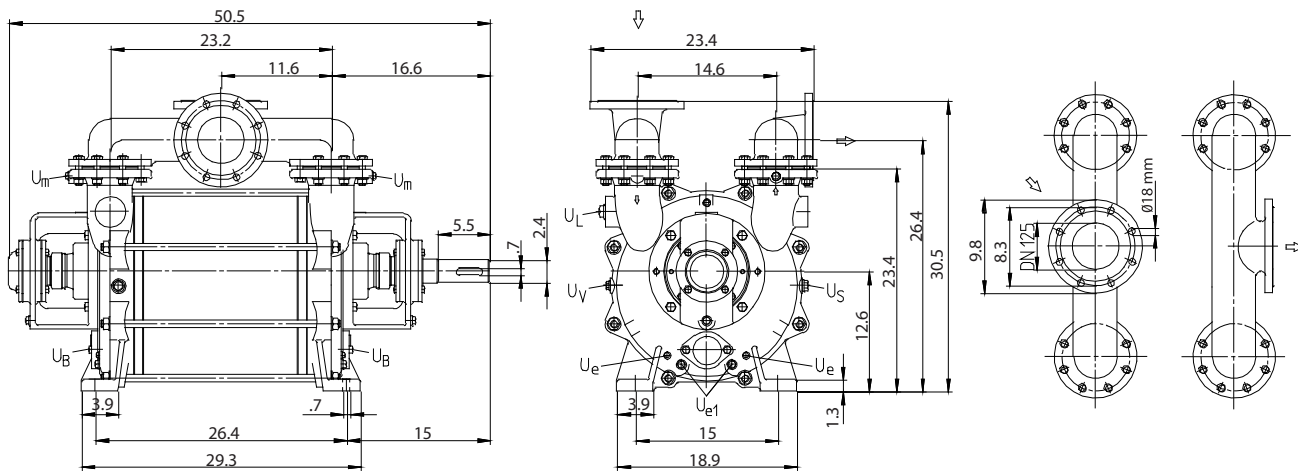


Fig. 33 Dimension drawing 175D

Designation	Explanation
U _B	Operating liquid connection (2")
U _e /U _{e1}	Drainage (screw plug)
U _L	Ventilation valve connection
U _m	Manometer connection

Designation	Explanation
U _s	Sensor connection
U _v	Drainage valve connection

Tab. 52 Connections 140D/160D/175D

10.8 Dimension drawing 25D/27D/210D

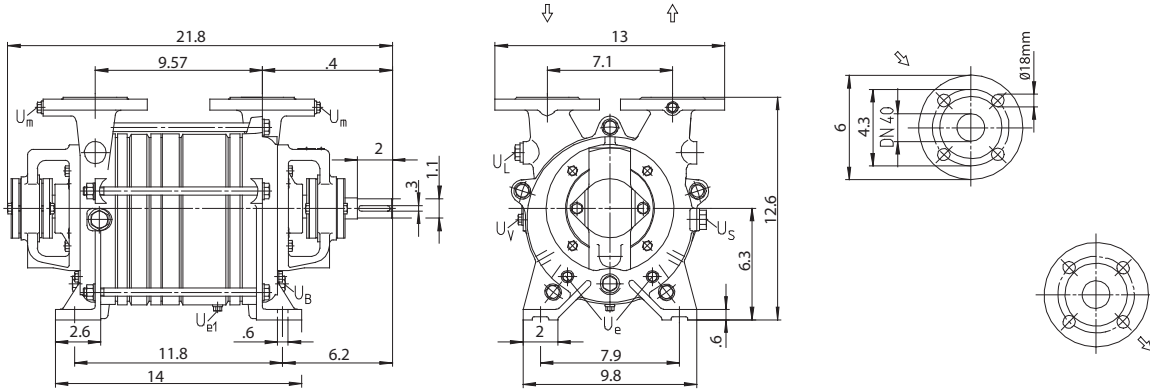


Fig. 37 Dimension drawing 25D

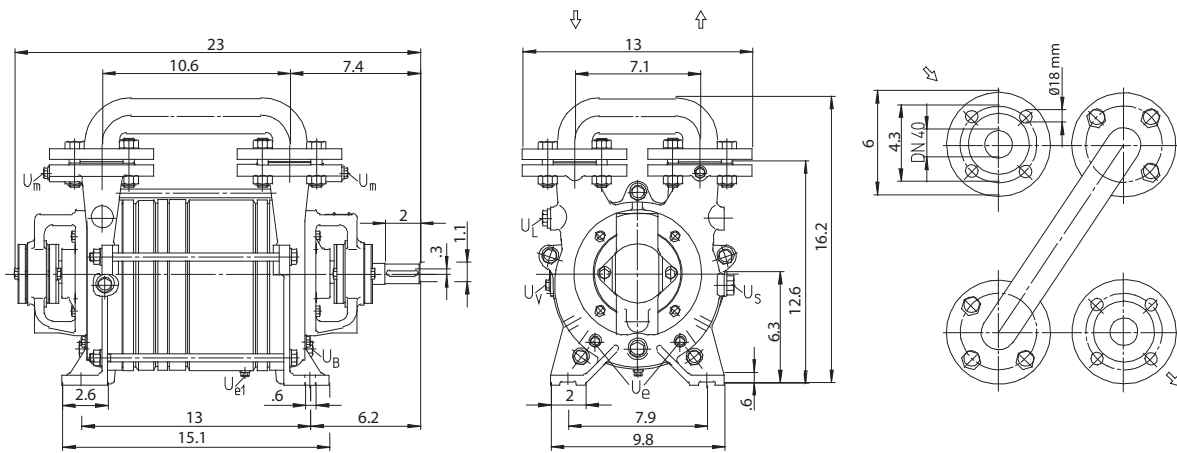


Fig. 38 Dimension drawing 27D

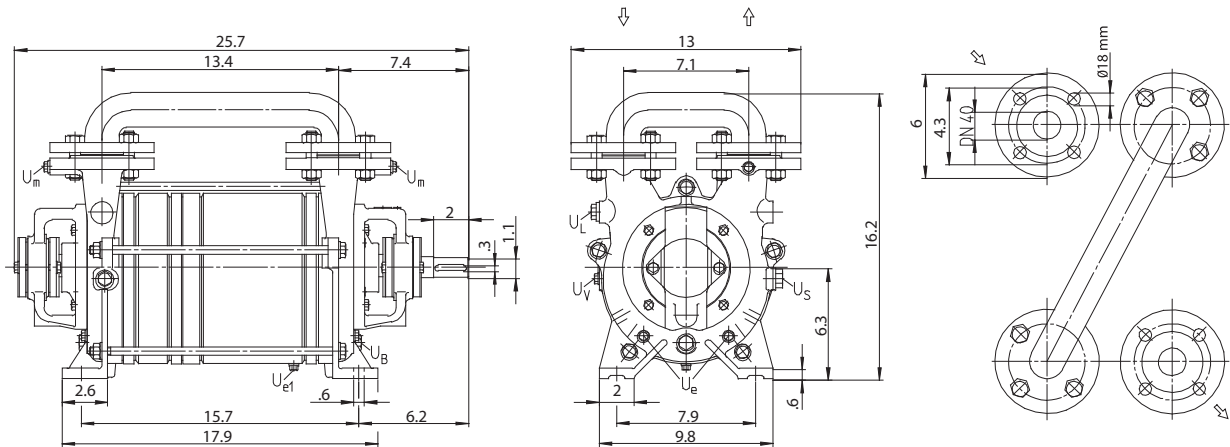


Fig. 39 Dimension drawing 210D

Designation	Explanation
U _B	Operating liquid connection (1/2")
U _e /U _{e1}	Drainage (screw plug)
U _L	Ventilation valve connection
U _m	Manometer connection

Designation	Explanation
U _s	Sensor connection
U _v	Drainage valve connection

Tab. 54 Connections 25D/27D/210D

10.9 Dimension drawing 215D/220D/220HD

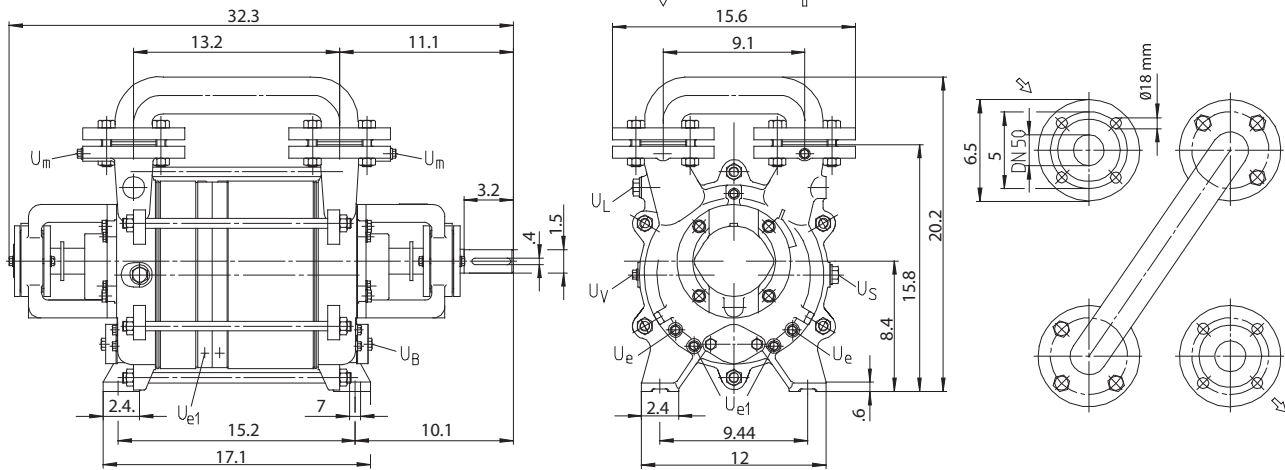


Fig. 40 Dimension drawing 215D

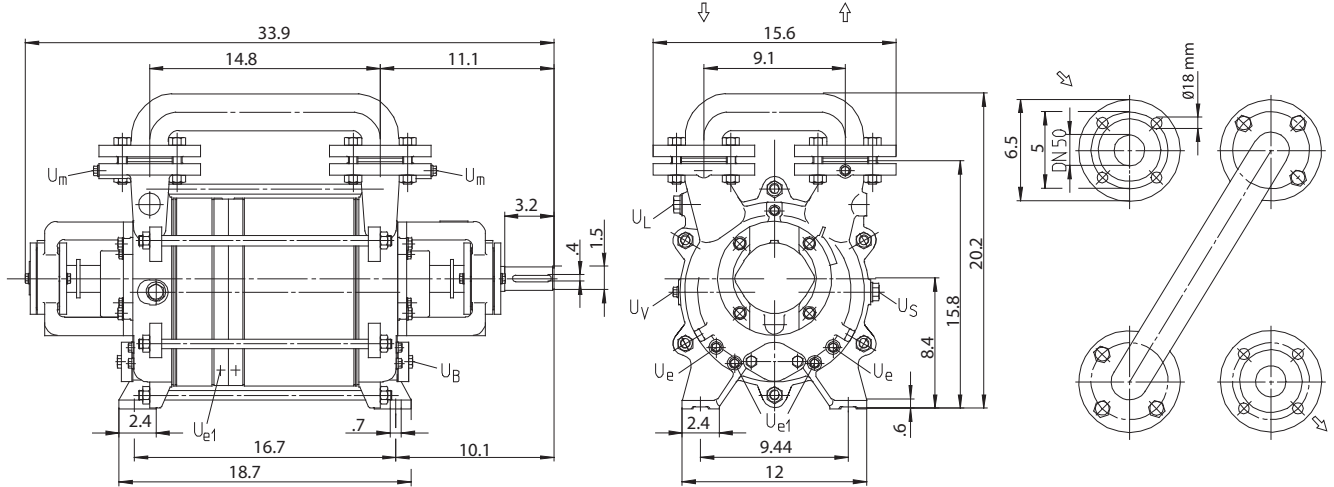


Fig. 41 Dimension drawing 220D

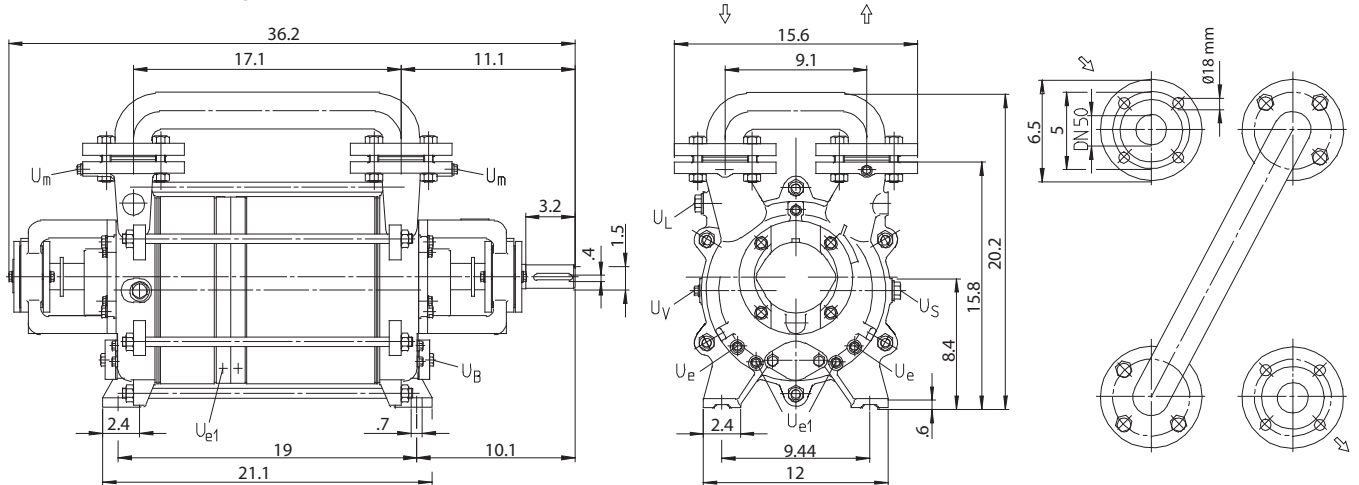


Fig. 42 Dimension drawing 220HD

Designation	Explanation
U _B	Operating liquid connection (1")
U _e /U _{e1}	Drainage (screw plug)
U _L	Ventilation valve connection
U _m	Manometer connection

Designation	Explanation
U _s	Sensor connection
U _v	Drainage valve connection

Tab. 55 Connections 215D/220D/220HD

10.10 Dimension drawing 225D/240D

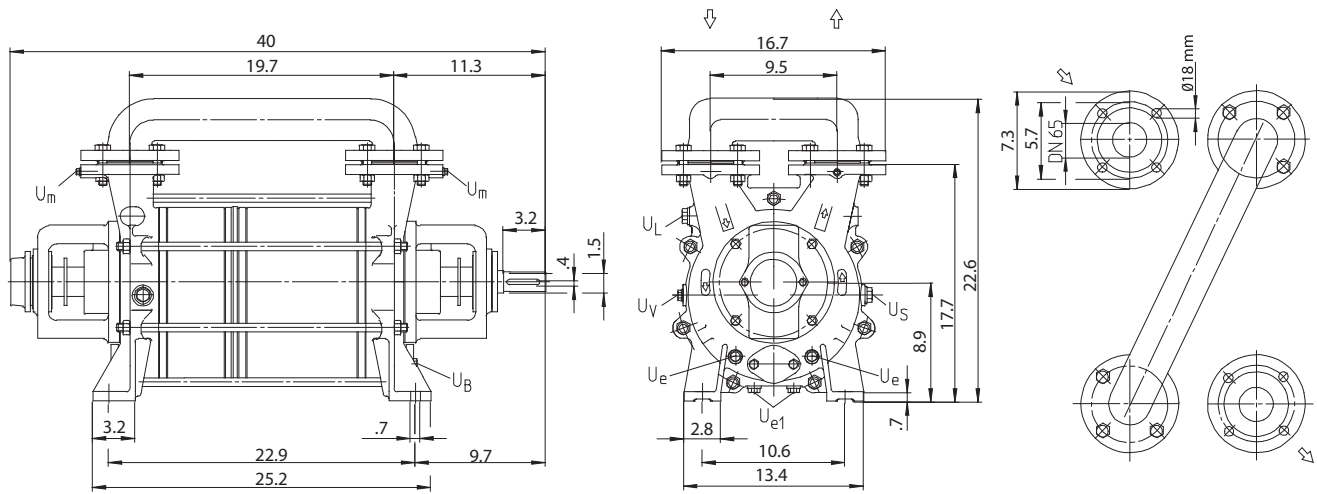


Fig. 43 Dimension drawing 225D

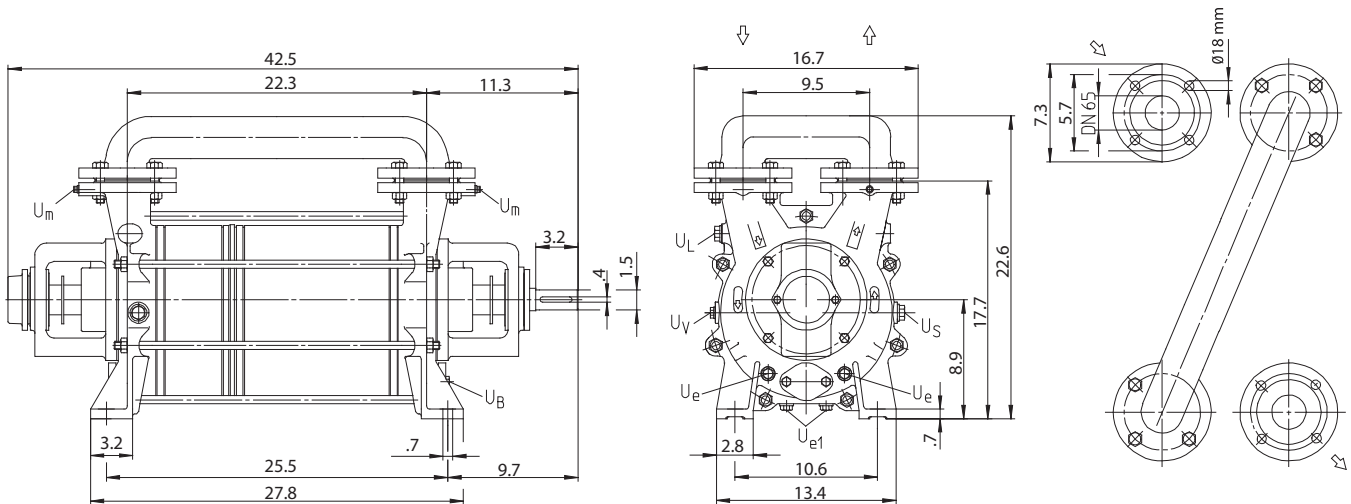


Fig. 44 Dimension drawing 240D

Designation	Explanation
U _B	Operating liquid connection (1")
U _e /U _{e1}	Drainage (screw plug)
U _L	Ventilaton valve connection
U _m	Manometer connection
U _s	Sensor connection
U _v	Drainage valve connection

Tab. 56 Connections 225D/240D

10.11 Dimension drawing 250D/275D

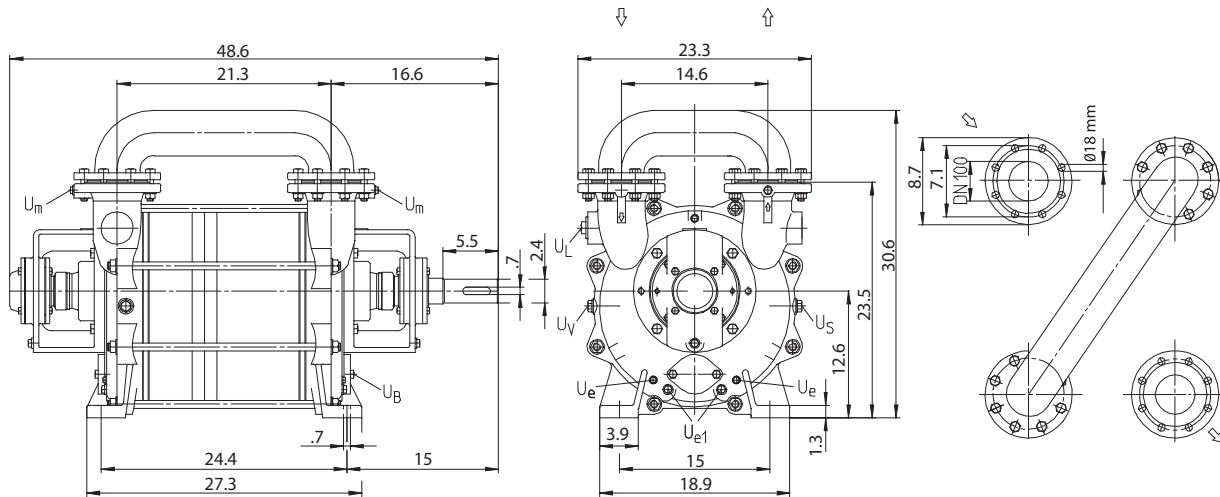


Fig. 45 Dimension drawing 250D

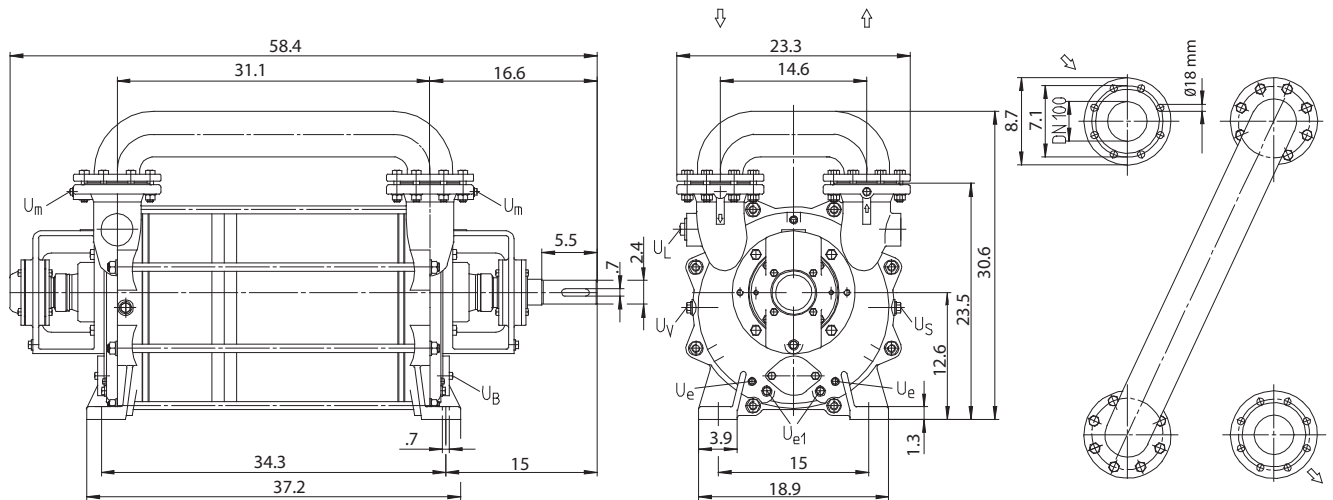


Fig. 46 Dimension drawing 275D

Designation	Explanation
U _B	Operating liquid connection (2")
U _e /U _{e1}	Drainage (screw plug)
U _L	Ventilation valve connection
U _m	Manometer connection
U _s	Sensor connection
U _v	Drainage valve connection

Tab. 57 Connections 250D/275D

10.14 Cross-sectional drawing 130D-175D

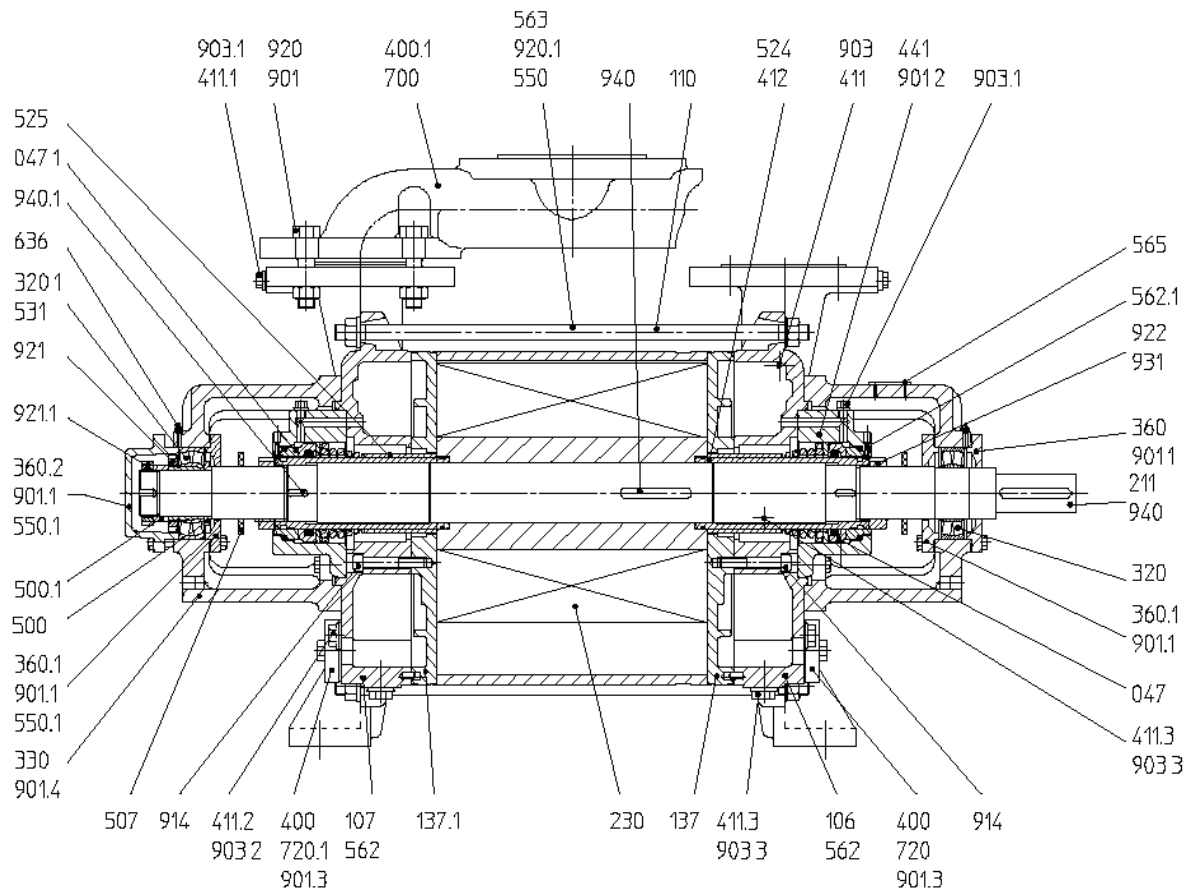


Fig 50 Cross-sectional drawing 130D-175D

No.	Designation
047.1	Mechanical seal
106	Suction casing
107	Discharge casing
110	Stage casing
137.1	Inter casing
211	Shaft
230	Impeller
320/.1	Rolling bearing
330	Bearing housing
360.-2	Bearing cover
400/.1	Sealing
411-.3	Sealing ring
412	O-ring
441	Shaft sealing casing
500/.1	Ring
507	Splash ring
524	Shaft protection sleeve
525	Spacer sleeve

No.	Designation
531	Withdrawal sleeve
550/.1	Washer
562/.1	Cylindrical pin
563	Casing bolts
565	Riveted bolt
636	Lubrication nipple
700	Pipe
720/.1	Counter flange
901-.4	Hexagon head screw
903-.3	Screw plug
914	Hexagon socket head screw
920/.1	Hexagon nut
921/.1	Shaft nut
922	Impeller nut
931/.1	Lock washer
940/.1	Fitting key

Tab. 60 Parts list 130D-175D

10.15 Cross-sectional drawing 25D-220HD

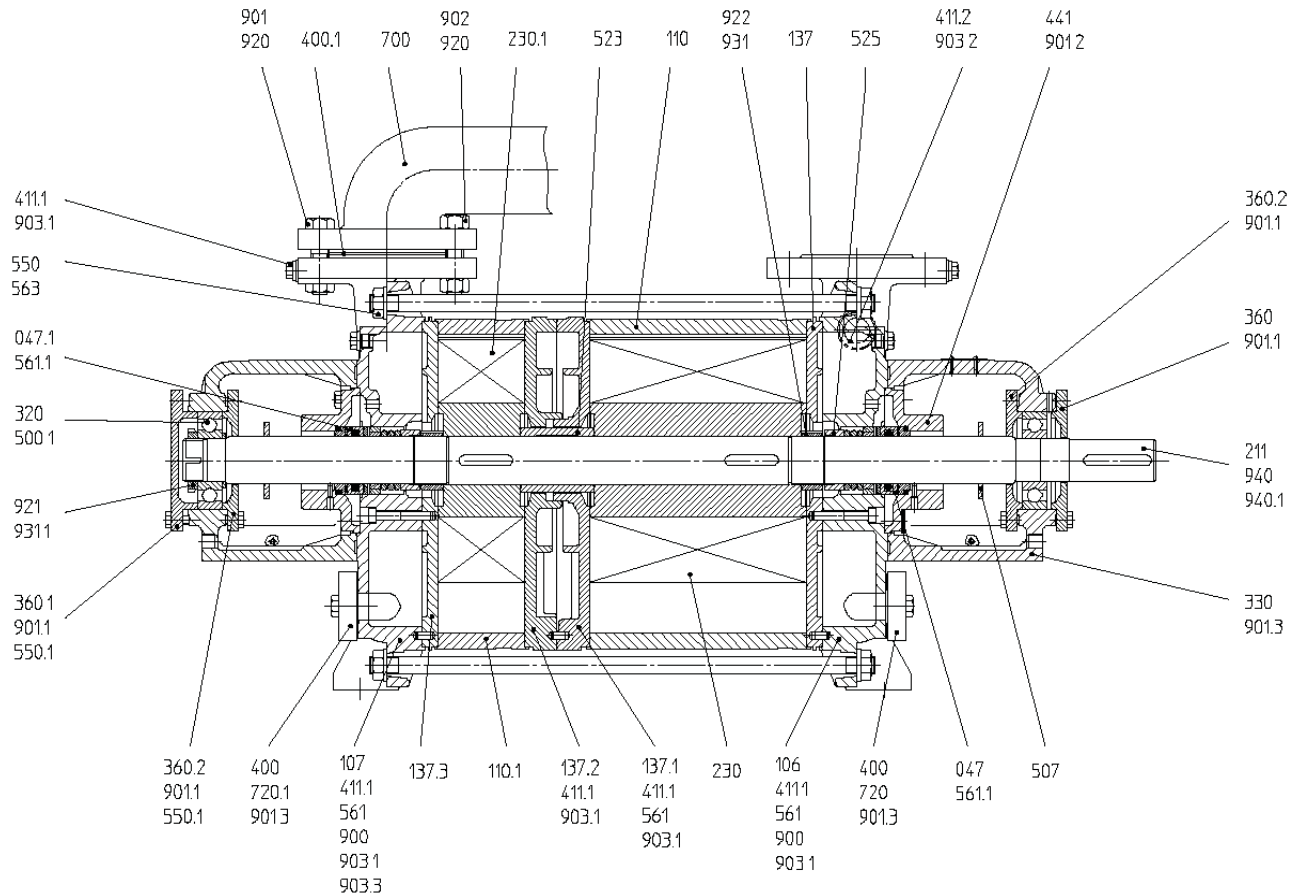


Fig. 51 Cross-sectional drawings 25D-220HD

No.	Designation
047/.1	Mechanical seal
106	Suction casing
107	Discharge casing
110/.1	Stage casing
137-.3	Inter casing
211	Shaft
230/.1	Impeller
320	Rolling bearing
330	Bearing housing
360-.2	Bearing cover
400/.1	Sealing
411.1/.2	Sealing ring
441	Shaft sealing casing
500/.1	Ring
507	Splash ring
523	Shaft sleeve
525	Spacer sleeve

No.	Designation
550/.1	Washer
561/.1	Cylindrical pin
563	Casing bolts
700	Pipe
720/.1	Counter flange
900	Hexagon socket head screw
901-.3	Hexagon head screw
902	Stud bolt
903.1-.3	Screw plug
920	Hexagon nut
921	Shaft nut
922	Impeller nut
931/.1	Lock washer
940/.1	Fitting key

Tab. 61 PartsList 25D-220HD

10.16 Cross-sectional drawing 225D-275D

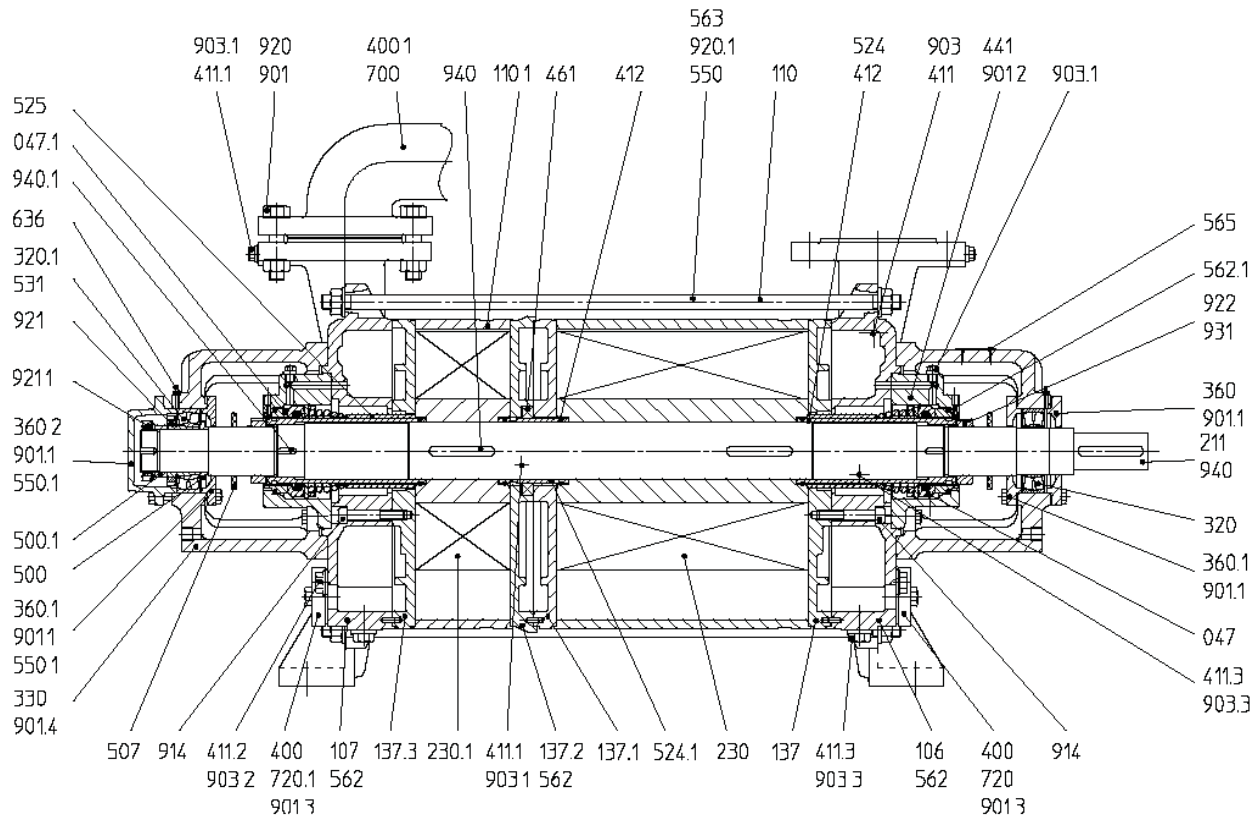


Fig. 52 Cross-sectional drawings 225D-275D

No.	Designation
047/.1	Mechanical seal
106	Suction casing
107	Discharge casing
110/.1	Stage casing
137-.3	Inter casing
211	Shaft
230/.1	Impeller
320/.1	Rolling bearing
330	Bearing housing
360-.2	Bearing cover
400/.1	Sealing
411-.3	Sealing ring
412	O-ring
441	Shaft sealing casing
461	Packing gland
500/.1	Ring
507	Splash ring
524/.1	Shaft protection sleeve
525	Spacer sleeve

No.	Designation
531	Withdrawal sleeve
550/.1	Washer
562/.1	Cylindrical pin
563	Casing bolts
565	Riveted bolt
636	Lubrication nipple
700	Pipe
720/.1	Counter flange
901-.4	Hexagon head screw
903-.3	Screw plug
914	Hexagon socket head screw
920/.1	Hexagon nut
921/.1	Shaft nut
922	Impeller nut
931	Lock washer
940/.1	Fitting key

Tab. 62 PartsList 225D-275D

10.17 Certificate of conformity

① Please copy this form and return it to the manufacturer together with the pump/aggregate.

Certificate of conformity		
The pump/pump aggregate including accessories for which we, the undersigned, have placed an inspection/repair order or which has been returned by us together with this certificate of conformity,		
Designation:		
Type:		
Serial number:		
<input type="checkbox"/> has not been in contact with hazardous substances. <input type="checkbox"/> has been used in the area of application of: <input type="checkbox"/> and has been in contact with the following harmful substances or substances subject to mandatory labelling:		
Trade name	Chemical designation	Properties (e.g. toxic, inflammable, caustic)
<input type="checkbox"/> The pump/pump aggregate has been completely drained, flushed and cleaned both inside and outside in accordance with the operating instructions. <input type="checkbox"/> Further handling of the pump/aggregate does not require special safety precautions. <input type="checkbox"/> The following safety precautions must be observed when handling the pump/aggregate: _____ _____ _____		
<input type="checkbox"/> Safety data sheets in accordance with national regulations are enclosed.		
Legally binding statement		
We herewith certify that all data given above are correct and complete and that I, the undersigned, am in a position to confirm this.		
We acknowledge our liability towards the contractor for any damage arising from incomplete or incorrect data.		
We agree to hold harmless the contractor against damage claims of third parties due to incomplete or incorrect data.		
We know that, independent of this statement, we have to take direct liability towards third parties, which particularly refers to the staff of the contractor responsible for handling, repair and maintenance.		
City, date:		Name: _____
Company stamp:		Signature: _____

Tab. 653 Certificate of conformity

For 24/7 Technical Support,
Call 847-855-6234 for assistance



Ohio Medical Corporation®
1111 Lakeside Drive, Gurnee, Il 60031-4099
Ph: 800-448-0770 or 847-855-0500
Fax: 847-855-6300
www.ohiomedical.com

Ohio Medical Corporation and the Ohio Medical Corporation logo are registered trademarks of Ohio Medical Corporation.
Molykote is a registered trademark of Dow Corning Corporation.